



**INSTALLATION INSTRUCTION  
TAILLIGHT GUARD PART#T1012/T1012-2  
LAND ROVER DISCOVERY3**

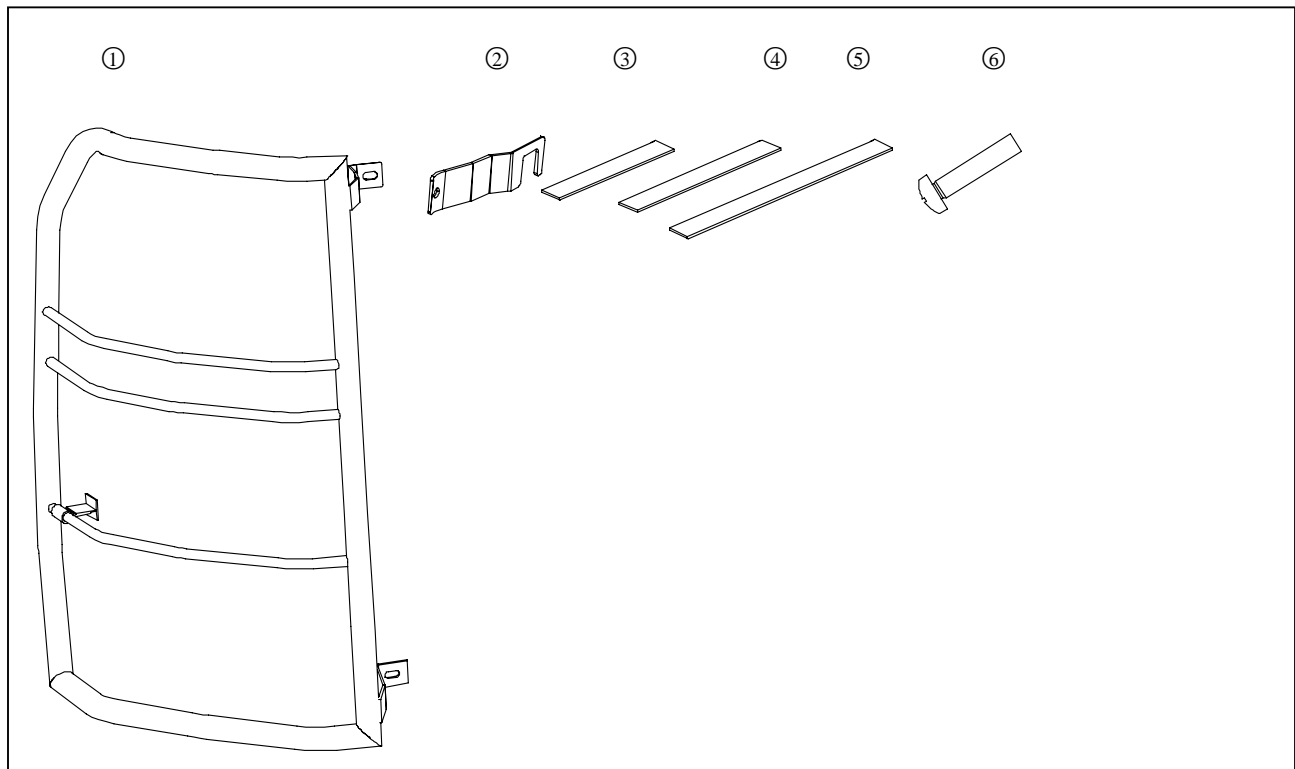


**ATTENTION**

- λ Please read this installation Menu before installing this part. When install it, pay attention to protecting your vehicles.
- λ When use it, please check this parts at a fix time - lapse, such as one month or two month.

**PART LIST**

No.	Name	Qty	Remarks	No.	Name	Qty	Remarks
①	Light guard	2		④	one side black sticker	6	δ 1. 5×20×50
②	light guard connector	2		⑤	one side black sticker	2	δ 1. 5×20×70
③	one side black sticker	4	δ 1. 5×20×40	⑥	Bolt	2	M4×12



## INSTALLATION STEPS

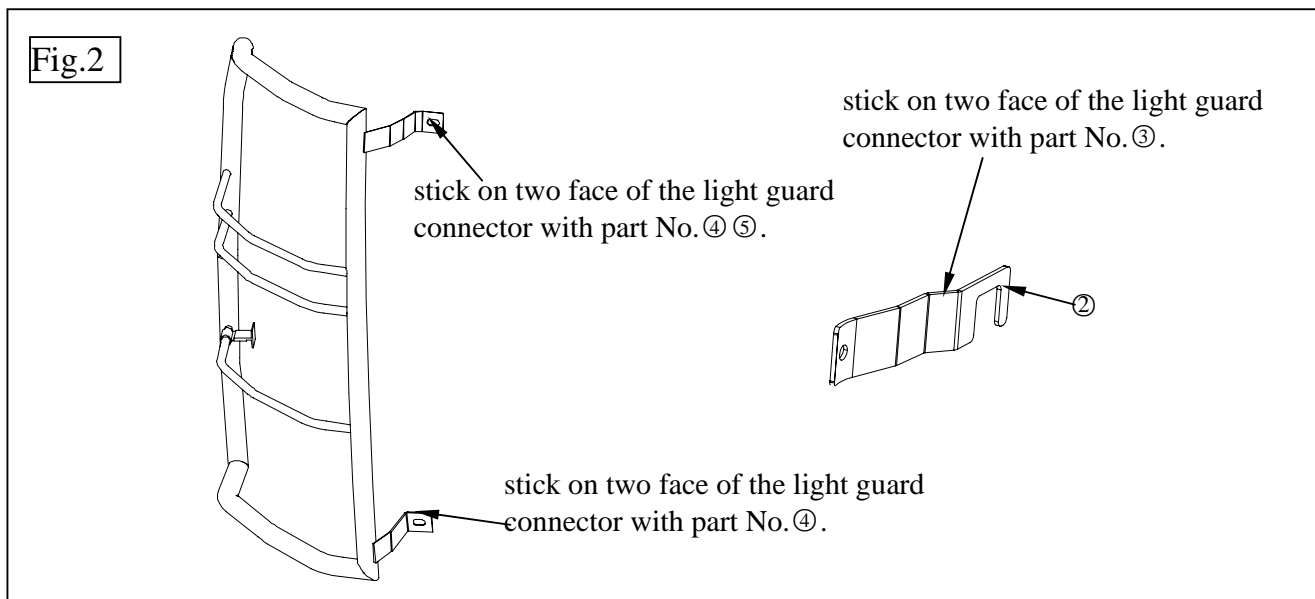
STEP ONE : Before you start the installation, make sure that you have all the components listed above.

STEP TWO : Please protect your vehicles from being scratched during the process of installing the light guard.

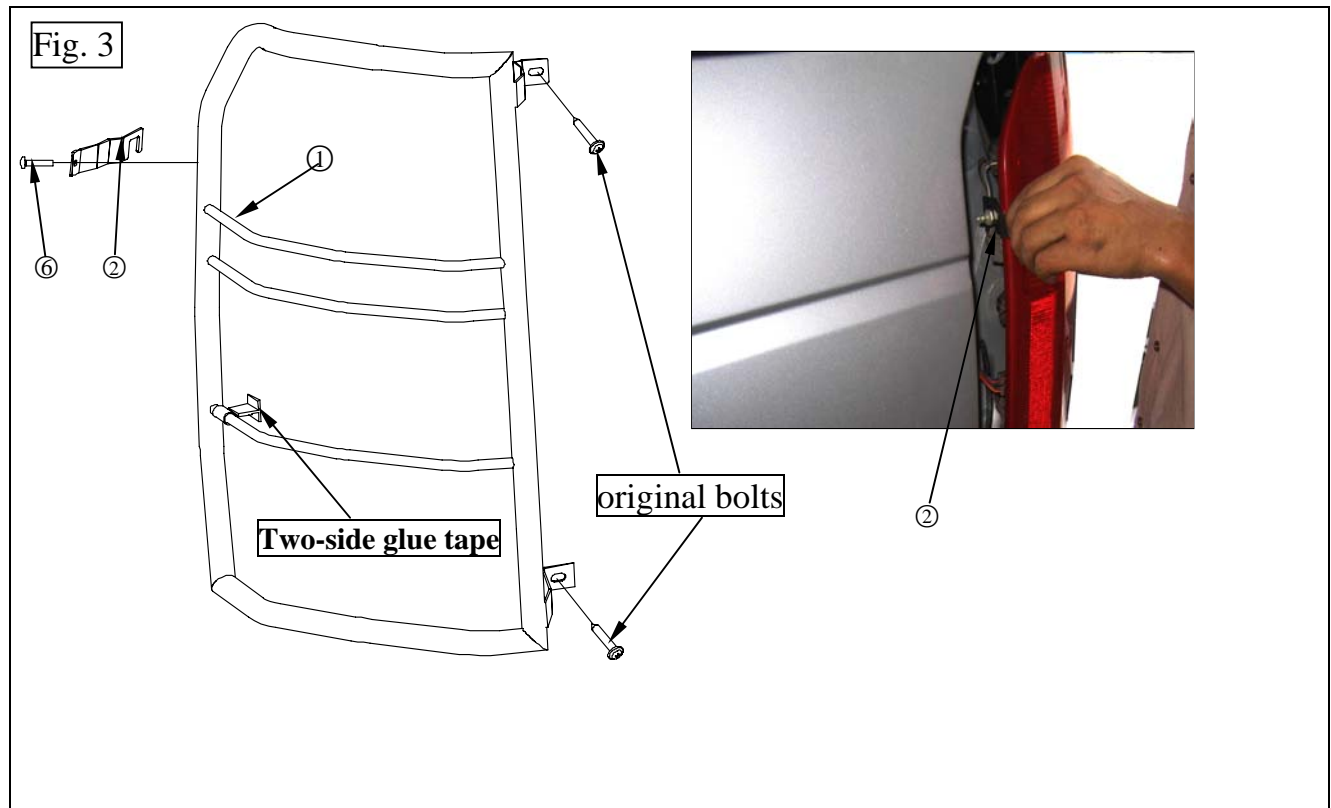
STEP THREE : Open the door,remove original bolts from the vehicle,then remove the light as shown in Fig.1 .



STEP FOUR : please stick on two face of the light guard connector with part No. ③ ④ ⑤ as shown in Fig.2.



STEP FIVE : Install part No. ② to the vehicle with part No. ⑥ and original bolts as shown in Fig. 3.



STEP SIX : put off the cover of two-side gule tape and stick the light guard onto the vehicle tightly(please clean the place) as shown in Fig. 3..

STEP SEVEN : Completely tighten all bolts and close the door.

STEP EIGHT: Test and make sure that the light guard is steadily fixed.

STEP NINE: Installation is finished .