



INSTALLATION INSTRUCTIONS

SPORT BAR PART#2101

LAND ROVER DISCOVER 3

ATTENTIONS:

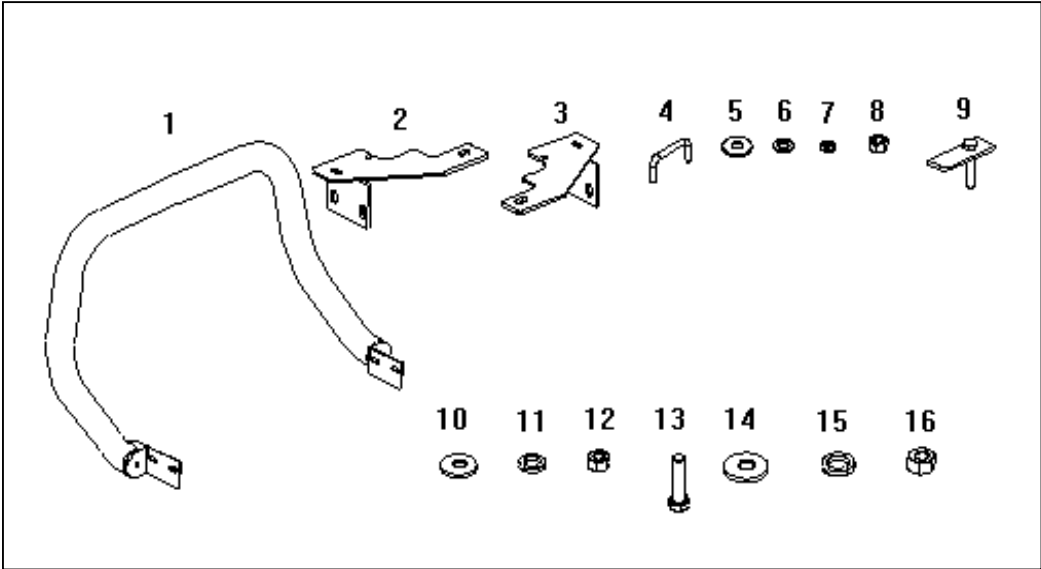
- 1) In order to install conveniently, please read this instruction seriously before the action; Pay attention to protect the surface of the car during the installation, avoiding scratching.
- 2) The main body of the product is stainless steel, sometimes rust may result from environment (acid rain, seawater, etc.).If it rust occurs , please clean it by water first ,then clean it with neutral scour solution , after clean rinse with water and wipe down.
- 3) Please check the sport bar and all the connection accessories regularly if tight enough, and make sure secure. Clean the sport bar regularly to prolong the use life.

FUNCTIONS AND CHARACTERISTICS

- 1) The main body is made of high quality stainless steel. The surface is polished to a high luster polishing .
- 2) The sport bar joins is symmetrical, and form fitting. This is a no drill application.

ESSENTIAL ACCESSORIES

| NO. | NAME | QUANTITY | SPECIFICATION | NO. | NAME | QUANTITY | SPECIFICATION |
|-----|------------------|----------|---------------|-----|------------------|----------|---------------|
| 1 | SPORT BAR | 1 | | 9 | T-BOLT | 2 | M10×35 |
| 2 | LEFT BRACKET | 1 | | 10 | ENLARGED WASHERS | 2 | 10mm |
| 3 | RIGHT BRACKET | 1 | | 11 | LOCK WASHER | 2 | 10 mm |
| 4 | U-BOLT | 2 | M8×80 | 12 | HEX NUTS | 2 | M10 |
| 5 | ENLARGED WASHERS | 2 | 8mm | 13 | HEX BOLTS | 4 | M12×35 |
| 6 | FLAT WASHER | 2 | 8mm | 14 | ENLARGED WASHERS | 8 | 12mm |
| 7 | LOCK WASHER | 4 | 8mm | 15 | LOCK WASHER | 4 | 12 mm |
| 8 | HEX NUTS | 4 | M8 | 16 | HEX NUTS | 4 | M12 |



INSTALLATION PROCEDURE:

