



INSTALLATION INSTRUCTIONS

SIDE BAR PART #205005/ 205005-2
1998-2002 DODGE DURANGO 4-DOOR 2/4WD

PARTS LIST

(2) SIDE TUBES WITH STEPS	(2) ½" – 13 x 2 HEX HEAD BOLT
(2) FRONT MOUNT BRACKETS	(2) ½" – 13 x 7½" HEX HEAD BOLT
(2) FRONT MOUNT BRACES	(8) ½" FLAT WASHER
(2) REAR MOUNT BRACKETS	(4) ½" LOCK WASHER
(2) ½" – 13 x 2½" HEX HEAD BOLT	(2) ½" HEX NUT

PROCEDURE

1. Begin installation by working on driver side of the vehicle (refer to Figures 1.1- 1.3)
2. Install Mount Brackets to underside of vehicle body mounts using factory bolts.
3. Attach Mount Brace to bottom of vehicle frame rail using (1) ½" – 13 x 7½" hex head bolt, (1) ½" lock washer, (2) ½" flat washers, and (1) ½" hex nut. The slot on the short end of the Brace Bracket should align with the Front Mount Bracket slot.
Note: The frame rail hole is located just to the right of the front body mount.
4. Fasten front side of tube to Mount Bracket using (1) ½" – 13 x 2 ½" hex head bolt, (1) ½" lock washer, and (1) ½" flat washer. Fasten rear side with (1) ½" – 13 x 2" hex head bolt, and remaining washers.
Note: Step Pad closer to the end of the tube goes to the rear (see Figure 1.1).
5. Torque body mount bolts and the ½" – 13 x 7 ½" bolt to 55 FT-LBS and the remaining ½" fasteners to 65 FT-LBS.
6. Repeat process for passenger side of vehicle to complete installation

FINISH PROTECTION- ARIES PRODUCTS HAVE A HIGH FINISH THAT MUST BE MAINTAINED SUCH AS ANY OTHER HIGH FINISH PRODUCT ON THE VEHICLE. PROTECT THE FINISH WITH A NON-ABRASIVE AUTOMOTIVE WAX. THE USE OF SOAP, POLISH, OR WAX THAT CONTAINS ABRASIVES IS DETRIMENTAL, AS THE COMPOUNDS SCRATCH THE FINISH AND OPEN IT TO CORROSION.

DISCLAIMER- BUYER ASSUMES ALL RISK AND LIABILITY WHATSOEVER FROM THE INSTALLATION AND USE OF ARIES PRODUCTS. ARIES PRODUCTS ARE SOLD AS DECORATIVE ACCESSORIES AND SHOULD NOT BE RELIED UPON AS PROTECTION FOR THE VEHICLE OR OCCUPANTS IN THE EVENT OF A COLLISION OR ROLL OVER. ARIES AUTOMOTIVE ASSUMES NO LIABILITY FOR INJURY, LOSS, INCIDENTAL OR CONSEQUENTIAL DAMAGES IN THE EVENT OF A COLLISION OR ROLLOVER

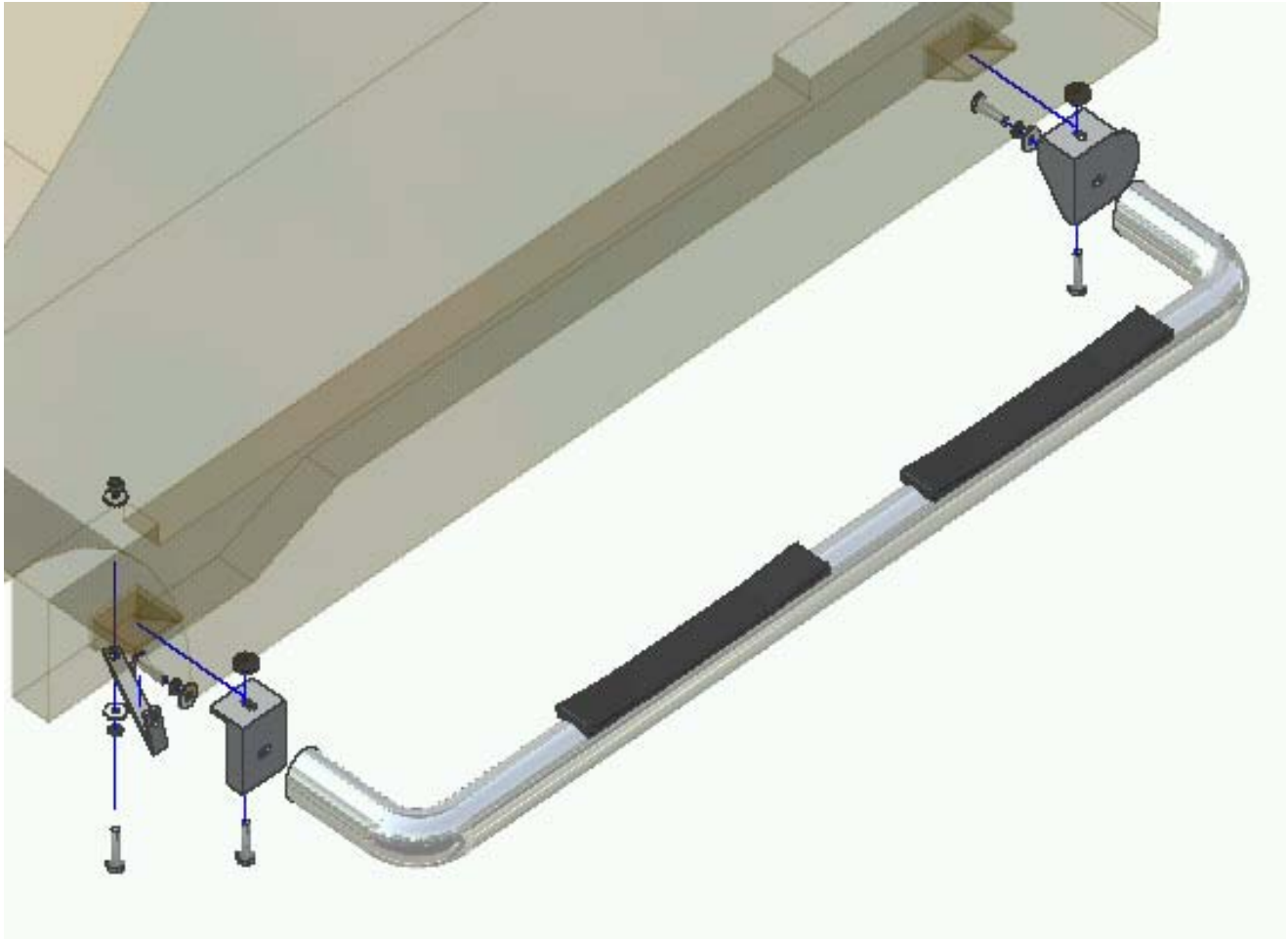


Figure 1.1 - Front Driver-Side View

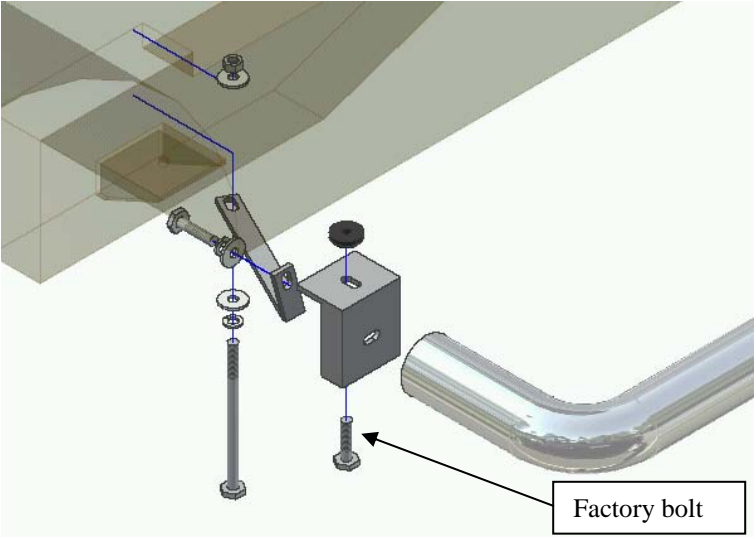


Figure 1.2 - Front Bracket

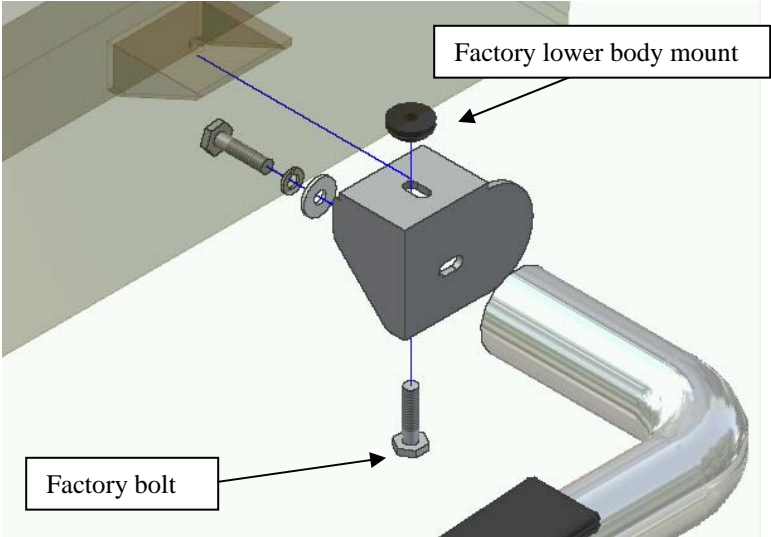


Figure 1.3 - Rear Bracket