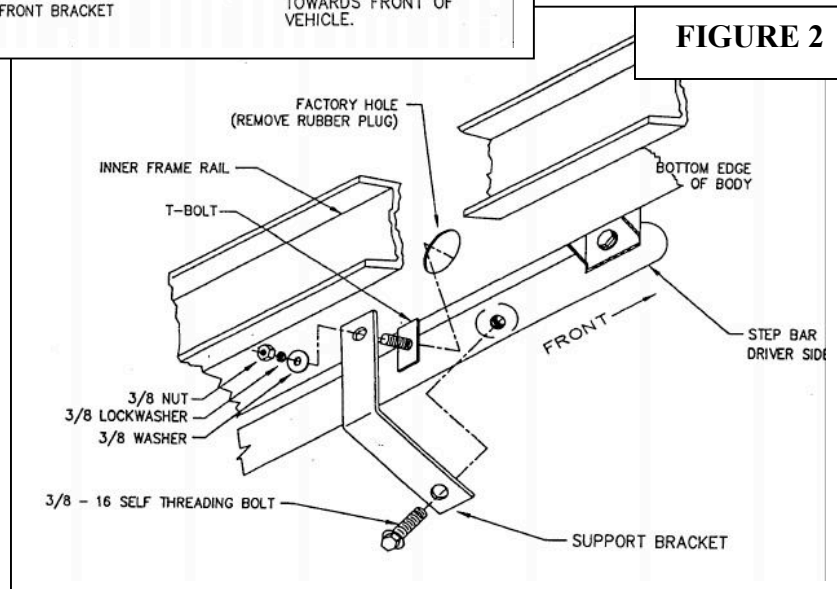
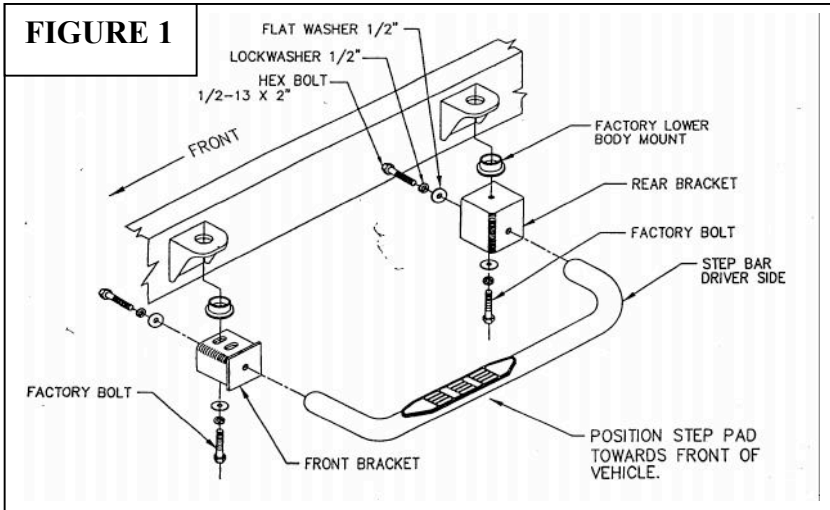


- STEP 6: Fix auxiliary bracket up to vehicle with the long end down. Secure top of brace with "T" bolt flat washers, lock washers, and nuts as shown in Figure 2. Leave loose.
- STEP 7: Secure bottom of bracket using the 3/8 x 1" hex. head bolt.
- STEP 8: Torque all hardware as follows: 3/8" hardware to 25 Ft. Lbs., 1/2" hardware to 65 Ft. Lbs., and factory bolts to 55 Ft. Lbs. Repeat for passenger side.
- STEP 9: You may need to periodically re-tighten the fasteners on your sidebar.



FINISH PROTECTION- ARIES PRODUCTS HAVE A HIGH FINISH THAT MUST BE MAINTAINED SUCH AS ANY OTHER HIGH FINISH PRODUCT ON THE VEHICLE. PROTECT THE FINISH WITH A NON-ABRASIVE AUTOMOTIVE WAX. THE USE OF SOAP, POLISH, OR WAX THAT CONTAINS ABRASIVES IS DETRIMENTAL, AS THE COMPOUNDS SCRATCH THE FINISH AND OPEN IT TO CORROSION.

DISCLAIMER- BUYER ASSUMES ALL RISK AND LIABILITY WHATSOEVER FROM THE INSTALLATION AND USE OF ARIES PRODUCTS. ARIES PRODUCTS ARE SOLD AS DECORATIVE ACCESSORIES AND SHOULD NOT BE RELIED UPON AS PROTECTION FOR THE VEHICLE OR OCCUPANTS IN THE EVENT OF A COLLISION OR ROLL OVER. ARIES AUTOMOTIVE ASSUMES NO LIABILITY FOR INJURY, LOSS, INCIDENTAL OR CONSEQUENTIAL DAMAGES IN THE EVENT OF A COLLISION OR ROLLOVER.



Aries Automotive
Accessories, Inc.
P.O. Box 1687
Lomita, CA 90717

Thank you for choosing Aries products
For Customer Service Support please
call: (888) 800-2743



Applications Guide

for:

STEP BAR ASSEMBLIES

205001/205001-2

1997-2001 DODGE Dakota Regular Cab

ITEM	QTY	CONTENTS	TOOLS
1	1	Sidebar Set (Driver & Passenger)	$\frac{3}{4}$ " Socket $\frac{9}{16}$ " Socket 19mm Socket Ratchet Torque wrench
2	2	Mounting Front Brackets (Driver & Passenger Side)	
3	2	Mounting Rear Brackets (Driver & Passenger Side)	
4	2	Mounting Auxiliary Brackets	
5	2	Mount Tabs	
6	2	$\frac{3}{8}$ x 1" Hex. Head bolt	
7	2	$\frac{3}{8}$ " Flat washers	
8	2	$\frac{3}{8}$ " Lock washers	
9	2	$\frac{3}{8}$ " Hex. nuts	
10	4	$\frac{1}{2}$ x 1 $\frac{1}{2}$ " Hex. head bolts	
11	4	$\frac{1}{2}$ " Flat washers	
12	4	$\frac{1}{2}$ " Lock washers	

- STEP 1:** Read and understand instructions completely before beginning installation.
- STEP 2:** Sidebar set consists of a driver and passenger sidebar. Be sure to determine the correct side before installation.
- STEP 3:** Bolt mounting brackets to the Sidebars as shown in Figure 1. Leave loose.
- STEP 4:** Remove the body mounting bolts from mounts located under the cab of truck. Position sidebar assembly up to the body mounts and install with the factory bolts, as shown in Figure 1.
- STEP 5:** Remove factory rubber plug on underside of body that lines up with threaded hole in bottom of sidebar. Figure 2.

