



---

## **INSTALLATION INSTRUCTIONS**

SIDE BAR PART #204015/ 204015-2  
2002-05 CHEVROLET TRAILBLAZER 2/4WD  
2002-05 GMC ENVOY 2/4WD  
2002-04 OLDSMOBILE BRAVADA 2/4WD

### **PARTS LIST**

- |                           |   |
|---------------------------|---|
| (2) SIDE TUBES WITH STEPS | (16) M8 – 1.25 x 30mm HEX HEAD BOLT         |
| (2) FRONT MOUNT BRACKETS  | (16) M8 SPLIT LOCK WASHER                   |
| (2) REAR MOUNT BRACKETS   | (20) M8 FLAT WASHER                         |
| (4) MOUNT BRACES          | (8) 3/8" – 16 x 1.00" BUTTON HEAD CAP SCREW |
| (4) M8 – 1.25 HEX NUT     | (8) 3/8" – SPLIT LOCK WASHER                |

### **PROCEDURE**

1. Begin installation by working on driver side of the vehicle (refer to Figures 1. 1- 1.3)
2. Install Mount Brackets to vehicle body posts using (2) M8 – 1.25 x 30mm hex head bolts, (2) M8 split lock washers, and (2) M8 flat washers, in that order. Hand tighten.
3. Fasten Mount Brace to inside rocker panel using (1) M8 – 1.25 x 30mm hex head bolt, (1) M8 split lock washer, and (1) M8 flat washer. Attach other end of Mount Brace to Mount Bracket using (1) M8 – 1.25 x 30mm hex head bolt, (2) M8 flat washers, (1) M8 split lock washer, and (1) M8 – 1.25 hex nut. Hand tighten.
4. Position Side Tube in place and fasten to Mount Brackets using (4) 3/8" – 16 x 1.00" button head cap screws and (4) 3/8" split lock washers. Hand tighten.
5. Level and adjust Side Tube as desired and adjust Mount Brackets to ensure a solid fit. Torque 8mm hardware to 25 FT-LBS and 3/8" hardware to 30 FT-LBS.
6. Repeat process for passenger side of vehicle to complete installation.

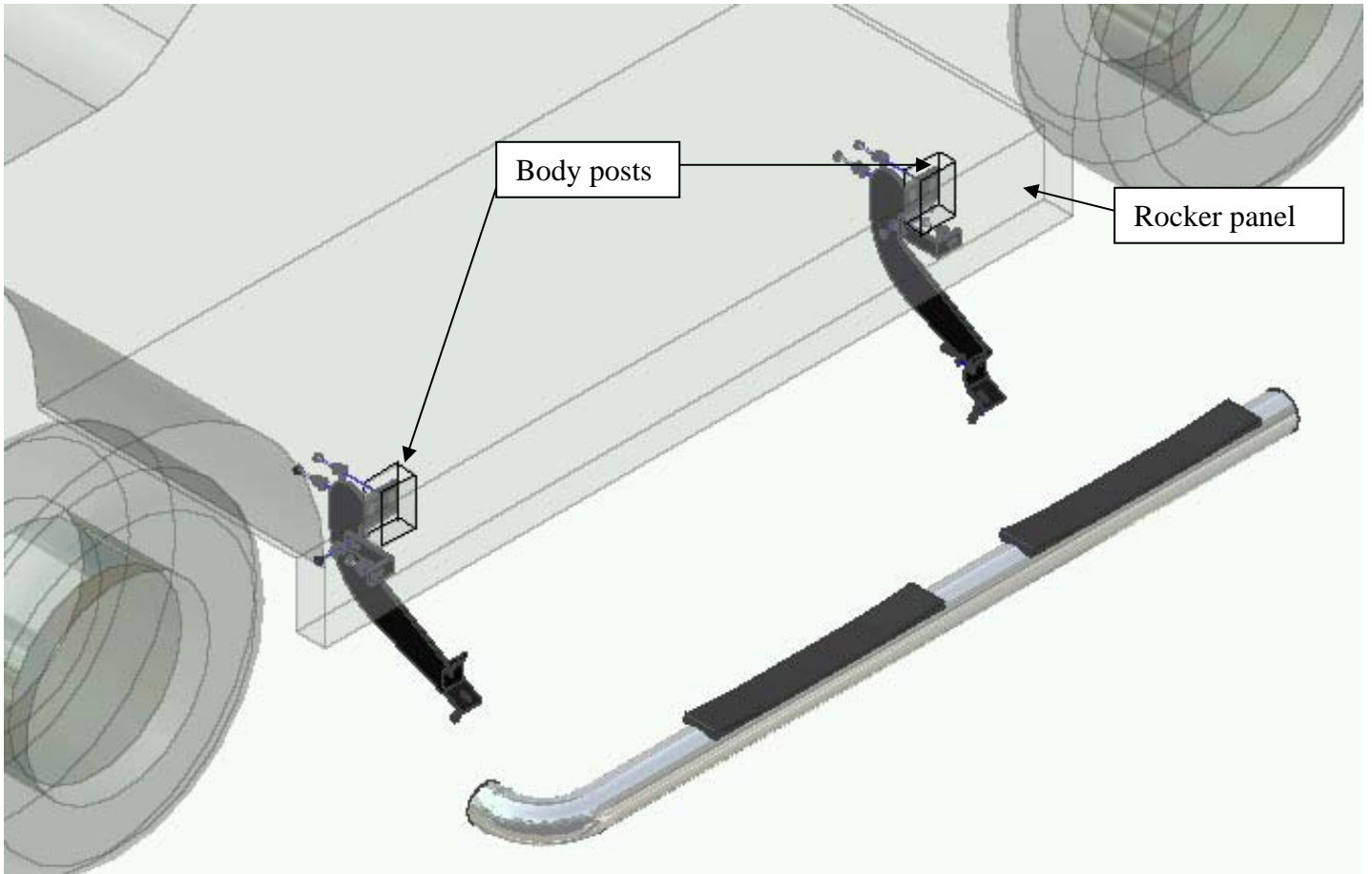


Figure 1.1 - Front Driver-Side View

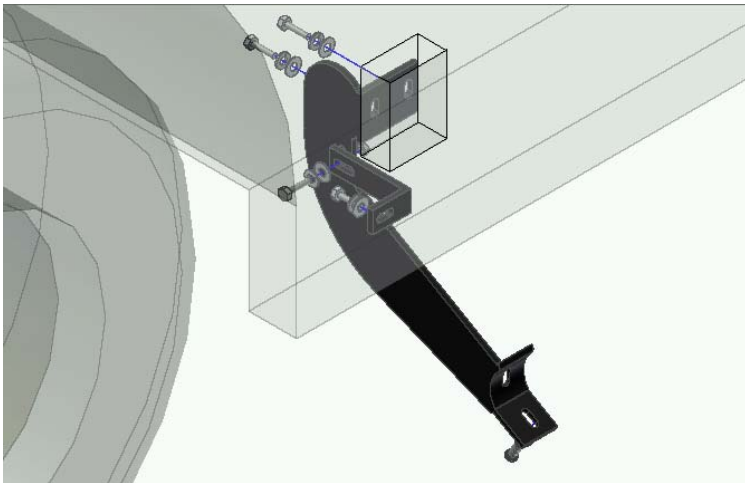


Figure 1.2 - Front Bracket

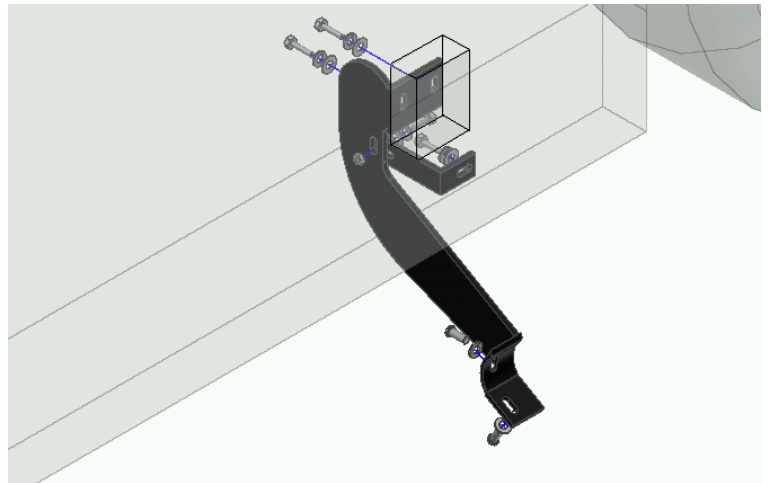


Figure 1.3 - Rear Bracket