



(888) 800-ARIES  
824 E. Anaheim St., Ste A  
Wilmington, CA 90744

## Part No. 203009, 203009-2

Application: 2000-03 FORD F-SERIES (SUPER CREW) PICKUPS

### PARTS LIST

| <u>ITEM</u> | <u>DESCRIPTION</u>                     | <u>QUANTITY</u> |
|-------------|--|-----------------|
| 1.          | STEP BARS                              | 2               |
| 2.          | FRONT MOUNTING BRACKETS (P/N #360)     | 2               |
| 3.          | CENTER SUPPORT STRAP(P/N #360)         | 2               |
| 4.          | REAR MOUNTING BRACKETS(P/N #362)       | 2               |
| 5.          | 3/8" T-BOLTS(P/N #363)                 | 2               |
| 6.          | 3/8" -16 THREADED LARGE BOLT(P/N #364) | 4               |
| 7.          | HEX HEAD BOLTS (1/2" -13 X 2)          | 4               |
| 8.          | LOCK WASHERS (1/2")                    | 4               |
| 9.          | FLAT WASHERS (1/2")                    | 4               |
| 10.         | HEX HEAD BOLTS (3/8" -16)              | 2               |
| 11.         | LOCK WASHERS (3/8")                    | 10              |
| 12.         | FLAT WASHERS (3/8")                    | 10              |
| 13.         | FLAT <i>Teflon</i> WASHERS (3/8")      | 2               |
| 14.         | HEX HEAD NUTS (3/8" -16)               | 8               |
| 15.         | PLASTIC "PUSH-NUT" WASHERS (3/8")      | 4               |

### INSTALLATION INSTRUCTIONS

#### STEP 1

Remove the contents from the box and check for any damage. Verify all parts against the parts list.

#### STEP 2

Read and understand instructions completely before beginning installation.

#### STEP 3

Position STEP BAR

-Fasten STEP BAR to brackets #360 and #362 using the 1/2" -13 x 2" hex head bolts, flat and lock washers as shown

#### STEP 4

Install support strap

-Place T-bolt #363 through existing hole in pinch weld and fasten strap #361 with washer and nut  
-Then attach to the step bar using 3/8" bolt

#### STEP 5

Check fit and alignment.

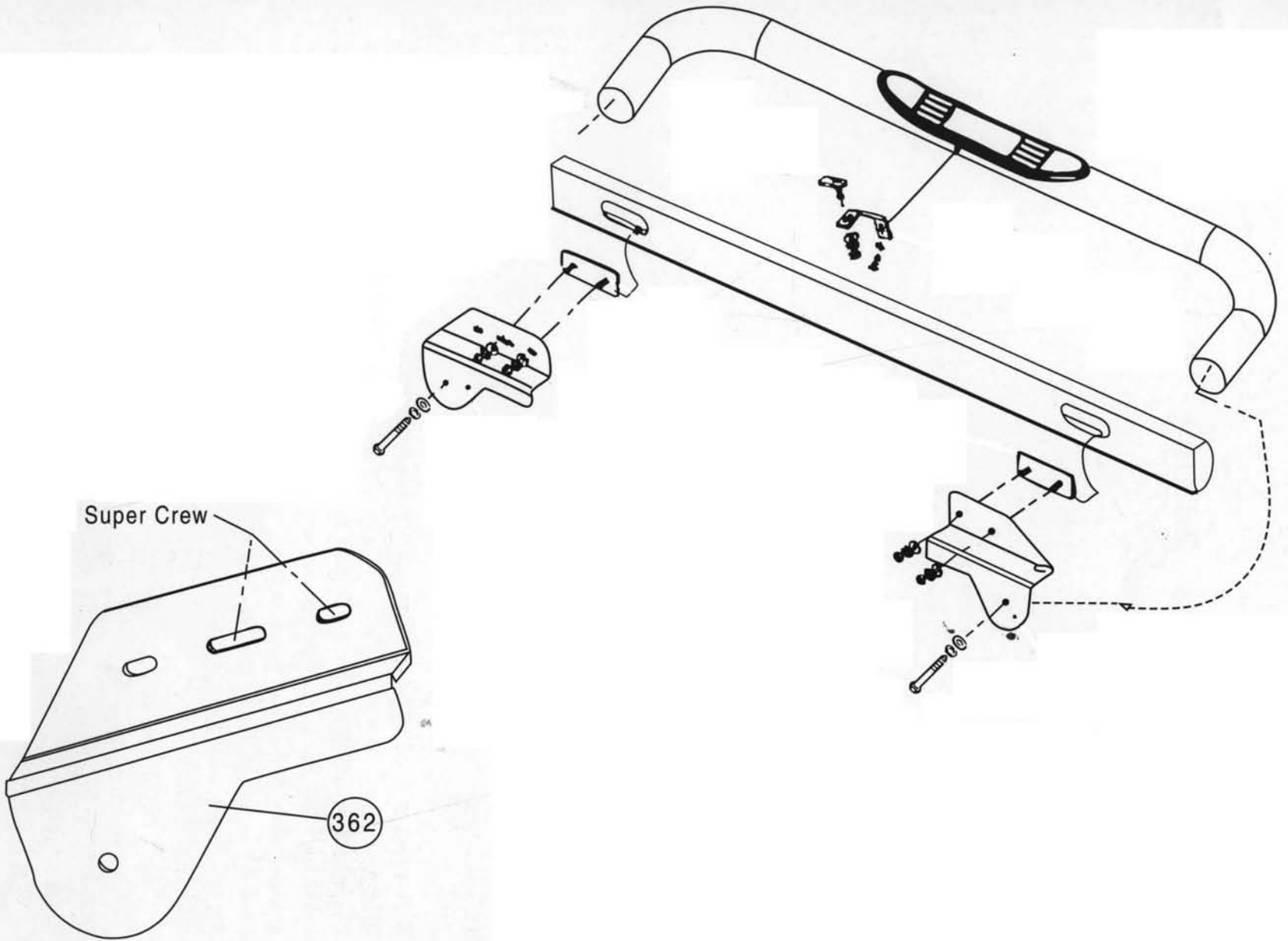
Torque the 1/2" -13 bolts to 65 ft/lbs and the 3/8"-16 nuts to 28 ft/lbs

**FINISH PROTECTION-** ARIES PRODUCTS HAVE A HIGH FINISH THAT MUST BE MAINTAINED SUCH AS ANY OTHER HIGH FINISH PRODUCT ON THE VEHICLE. PROTECT THE FINISH WITH A NON-ABRASIVE AUTOMOTIVE WAX. THE USE OF SOAP, POLISH, OR WAX THAT CONTAINS ABRASIVES IS DETRIMENTAL, AS THE COMPOUNDS SCRATCH THE FINISH AND OPEN IT TO CORROSION.

**DISCLAIMER-** BUYER ASSUMES ALL RISK AND LIABILITY WHATSOEVER FROM THE INSTALLATION AND USE OF ARIES PRODUCTS. ARIES PRODUCTS ARE SOLD AS DECORATIVE ACCESSORIES AND SHOULD NOT BE RELIED UPON AS PROTECTION FOR THE VEHICLE OR OCCUPANTS IN THE EVENT OF A COLLISION OR ROLL OVER. ARIES AUTOMOTIVE

ASSUMES NO LIABILITY FOR INJURY, LOSS, INCIDENTAL OR CONSEQUENTIAL DAMAGES IN THE EVENT OF A COLLISION OR ROLLOVER.

DRIVER SIDE SHOWN



Super Crew

362