



(888) 800-ARIES

**INSTRUCTIONS**

**2004 TOYOTA TUNDRA DOUBLE CAB**

<u>QTY.</u>	<u>ITEM</u>	<u>CONTENT</u>
2	1	<b>SIDE TUBES</b>
2	2	<b>FRONT BRACKETS</b>
2	3	<b>REAR BRACKETS</b>
1	4	<b>FRONT MOUNT TAB ASSEMBLY, PASSENGER</b>
1	5	<b>FRONT MOUNT TAB ASSEMBLY, DRIVER</b>
4	6	<b>SPACER WASHER</b>
6	7	<b>1/2-13 X 2" HEX HEAD BOLT</b>
8	8	<b>1/2" FLAT WASHER</b>
8	9	<b>1/2" LOCK WASHERS</b>
4	10	<b>1/2-13 HEX NUT</b>

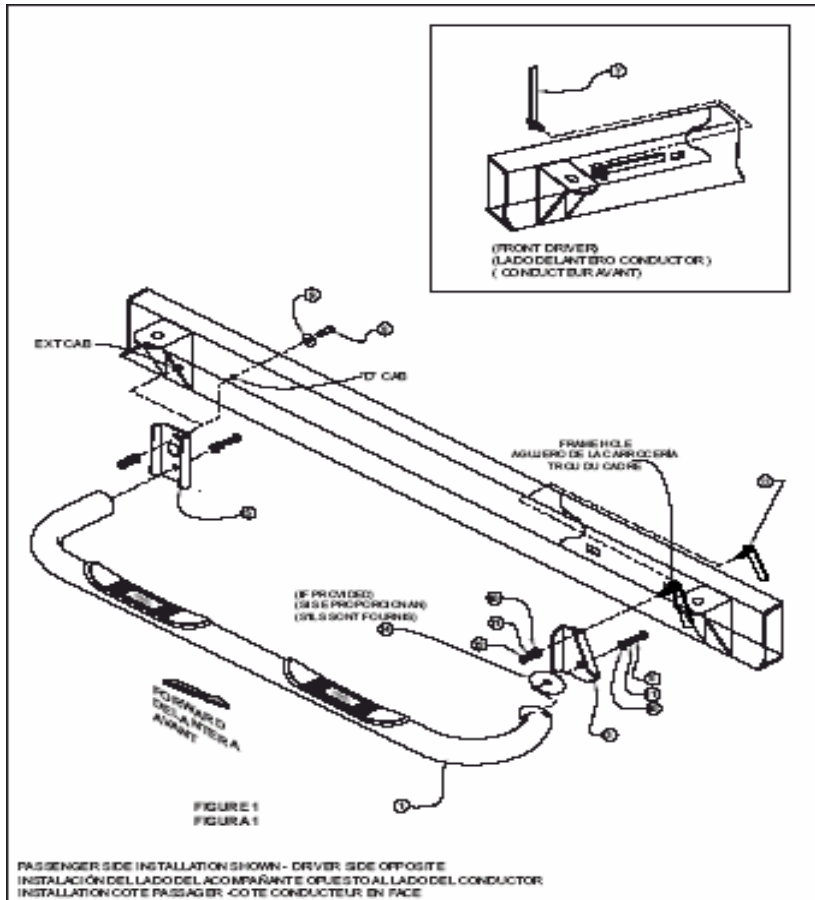
**STEP 1** REMOVE CONTENTS FROM BOX AND VERIFY ALL PART ARE PRESENT. READ INSTRUCTIONS COMPLETELY BEFORE BEGINNING.

**STEP 2** LOCATE REGTANGULAR HOLES IN FRAME TOWARDS THE FRONT OF THE VEHICLE. INSERT FRONT MOUNT TAB ASSEMBLIES INTO THE HOLE FROM THE INSIDE OF FRAME. ATTACH FRONT BRACKETS AS SHOWN. HAND TIGHTEN.

**STEP 3** ATTACH REAR BRACKETS AS SHOWN. HAND TIGHTEN. NOTE: PLACE SPACER WASHER UNDER THE HEAD OF THE HEX HEAD BOLT AND INSERT THROUGH FRAME FROM THE INSIDE.

**STEP 4** ATTACH STEP BAR AS SHOWN. HAVE TIGHTEN

**STEP 5** MAKE SURE STEP BAR AND BRACKETS ARE PROPERLY ALIGNED. TIGHTEN AND 1/2" HARDWARE TO 63 LBS.



***FINISH PROTECTION- ARIES PRODUCTS HAVE A HIGH FINISH THAT MUST BE MAINTAINED SUCH AS ANY OTHER HIGH FINISH PRODUCT ON THE VEHICLE. PROTECT THE FINISH WITH A NON-ABRASIVE AUTOMOTIVE WAX. THE USE OF SOAP, POLISH, OR WAX THAT CONTAINS ABRASIVES IS DETRIMENTAL, AS THE COMPOUNDS SCRATCH THE FINISH AND OPEN IT TO CORROSION.***

**DISCLAIMER-** BUYER ASSUMES ALL RISK AND LIABILITY WHATSOEVER FROM THE INSTALLATION AND USE OF ARIES PRODUCTS. ARIES PRODUCTS ARE SOLD AS DECORATIVE ACCESSORIES AND SHOULD NOT BE RELIED UPON AS PROTECTION FOR THE VEHICLE OR OCCUPANTS IN THE EVENT OF A COLLISION OR ROLL OVER. ARIES AUTOMOTIVE ASSUMES NO LIABILITY FOR INJURY, LOSS, INCIDENTAL OR CONSEQUENTIAL DAMAGES IN THE EVENT OF A COLLISION OR ROLLOVER.