

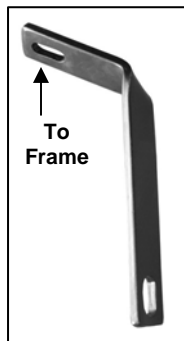


INSTALLATION INSTRUCTIONS

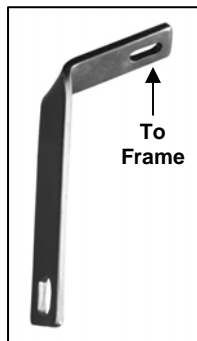
**SIDE BAR PART #200100/200100-2
2003-2009 KIA SORENTO 2/4WD**

PARTS LIST:

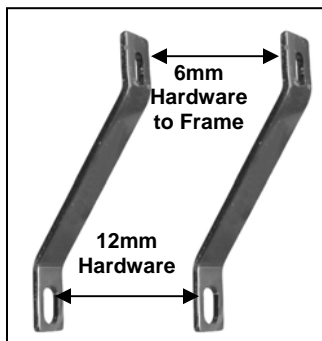
1	Driver/Left Sidebar	4	1/2" x 2" Hex Head Bolts
1	Passenger/Right Sidebar	4	1/2" Lock Washers
2	Front Mounting Brackets	4	1/2" ID x 1 3/8" OD x 3/32" Flat Washers
1	Driver/Left Rear Mounting Bracket	2	10-1.50mm x 30mm Hex Head Bolts
1	Passenger/Right Rear Mounting Bracket	2	10-1.50mm x 35mm Bolt Plates
1	Driver/Left Front Support Bracket – 03-05 Models	4	10mm Lock Washers
1	Pass/Right Front Support Bracket – 03-05 Models	4	10mm Hex Nuts
1	Driver/Left Front Support Bracket – 06-08 Models	6	10mm ID x 30mm OD x 3mm Flat Washers
1	Pass/Right Front Support Bracket – 06-08 Models	4	6-1.00mm x 25mm Hex Bolts
2	Rear Support Brackets	4	6mm Lock Washers
		4	6mm x 23mm OD x 3m Flat Washers



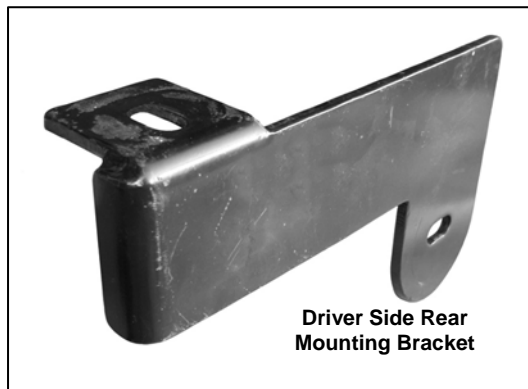
**03-05 Models
Passenger Side
Front Support
Bracket**



**03-05 Models
Driver Side Front
Support Bracket**



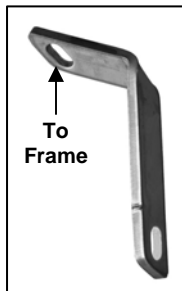
**Rear Support
Brackets**



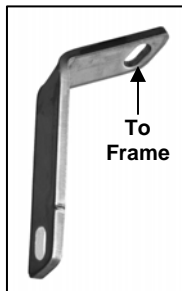
**Driver Side Rear
Mounting Bracket**



**Front Mounting
Brackets**



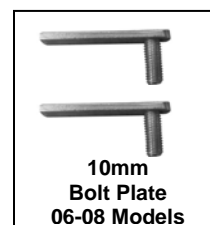
**06-09 Models
Passenger Side
Front Support
Bracket**



**06-09 Models
Driver Side Front
Support Bracket**



**Passenger Side Rear
Mounting Bracket**



**10mm
Bolt Plate
06-08 Models**

PROCEDURE:

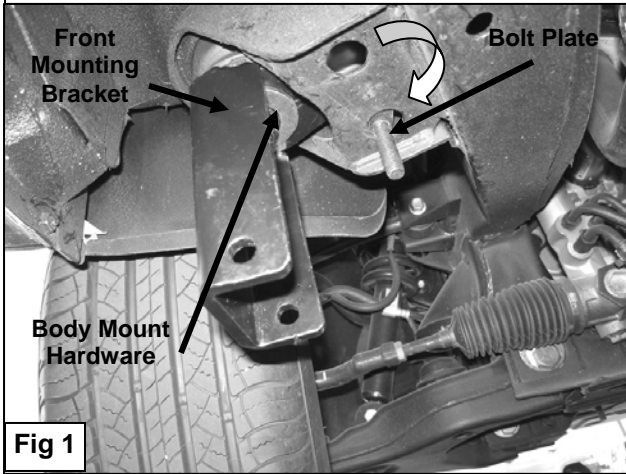
1. REMOVE CONTENTS FROM BOX. VERIFY ALL PARTS ARE PRESENT. READ INSTRUCTIONS CAREFULLY BEFORE STARTING INSTALLATION.
 2. From underside of vehicle, remove the driver side front and rear body mount nuts.
 3. Starting on the driver side front, partially attach driver side front Mounting Bracket to body mount using the factory hardware (**Figure 1 & 3**).
NOTE: Refer to figures in the previous page for Support Bracket configuration. Use only one set of front Support Brackets depending upon the model year of your vehicle and discard the other set.
- 06-08 Models**
Locate the two holes in the bottom of the body mount, and then insert (1) 10mm x 35mm Bolt Plate through the rear factory hole, so bolt drops through front hole. Partially install the shorter angle bend of front Support Bracket to already inserted Bolt Plate using the included (1) 10mm Lock Washer, (1) 10mm Flat Washer, and (1) 10mm Flat Washer (**Figures 1 & 2**). Do not tighten at this time.
- 03-05 Models**
There is a factory threaded hole in the frame located by the rear side of front body mount. Partially install the shorter angle bend of front Support Bracket to factory threaded hole using the included (1) 6mm x 25mm Hex Head Bolt, (1) 6mm Lock Washer, and (1) 6mm Flat Washer. Do not tighten at this time (**Figure 4**).
4. Loosely attach opposite side of front Support Bracket to rear hole in the already install Mounting Bracket using the included (1) 10mm x 30mm Hex Head Bolt, (1) 10mm Lock Washer, (1) 10mm Hex Nut, and (2) 10mm Flat Washer (**Figure 2 & 4**).
 5. Loosely attach the driver side rear Mounting Bracket to body mount using the factory hardware (**Figure 5**).
 6. Remove the 6mm factory bolt holding the electrical metal wire strap located in the frame by the rear tire (**Figure 6**). Position rear Support Bracket over metal wire strap and secure them by replacing the factory bolt with the included (1) 6mm x 25mm Hex Head Bolt, (1) 6mm Lock Washer, and (1) 6mm Flat Washer (**Figure 7**). **NOTE:** There are two hole sizes in the Support Bracket use the smaller one to attach it to frame. Do not tighten at this time.
 7. With help position Sidebar up to Mounting Brackets and attach it using the included (2) ½" x 2" Hex Head Bolts, (2) ½" Lock Washers, and (2) ½" Flat Washers (**Figures 8, 9 & 10**). **NOTE:** The opposite side of rear Support Bracket will mount to rear Mounting Bracket using the same ½" x 2" Hex Head Bolt used to attach Sidebar to rear Mounting Bracket.
 8. Level and adjust Side Bar properly; and then tighten all hardware at this time.
 9. Repeat steps 2-8 for passenger Sidebar.
 10. Do periodic inspections to the installation to make sure that all hardware is secure and tight.

To protect your investment, wax this product after installing. Regular waxing is recommended to add a protective layer over the finish. Do not use any type of polish or wax that may contain abrasives that could damage the finish.

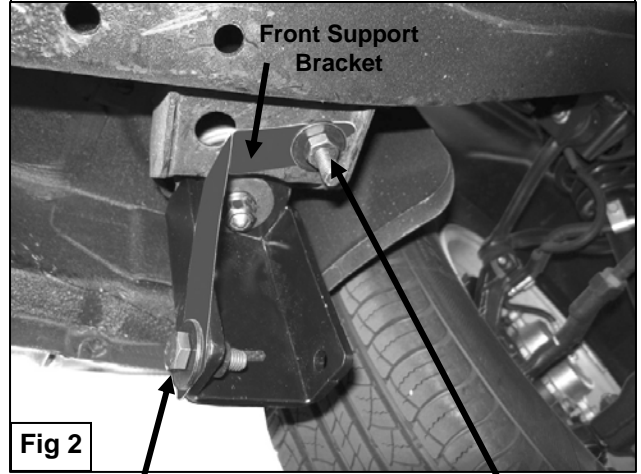
For stainless steel: Aluminum polish may be used to polish small scratches and scuffs on the finish. Mild soap may be used also to clean the Sidebar.

For gloss black finishes: Mild soap may be used to clean the Sidebar.

06-08 Models – Driver Side Front Bracket Shown



06-08 Models – Driver Side Front Support Bracket Shown



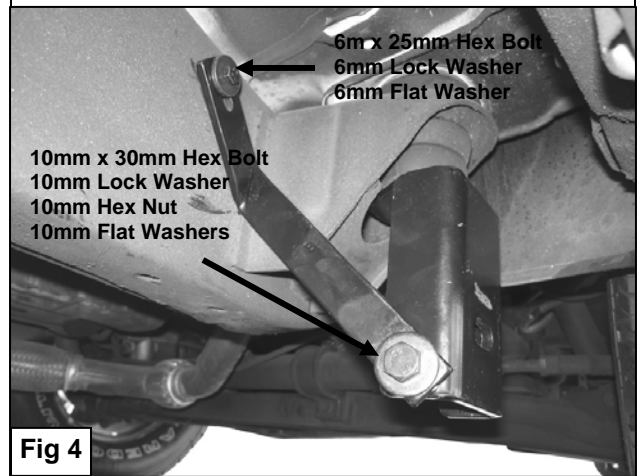
- 10mm x 30mm Hex Bolt
- 10mm Lock Washer
- 10mm Hex Nut
- 10mm Flat Washers

- (Bolt Plate)
- 10mm Lock Washer
- 10mm Hex Nut
- 10mm Flat Washer

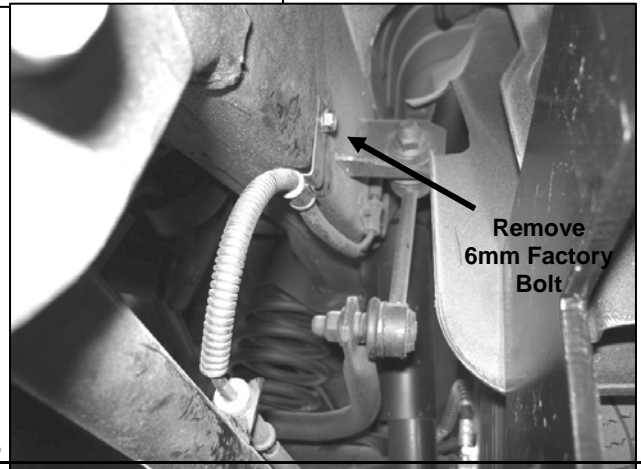
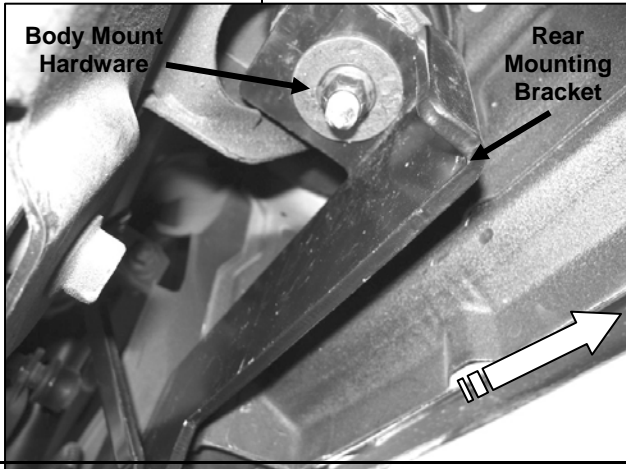
03-05 Models – Pass Side Front Installation Shown



03-05 Models – Pass Side Front Installation Shown

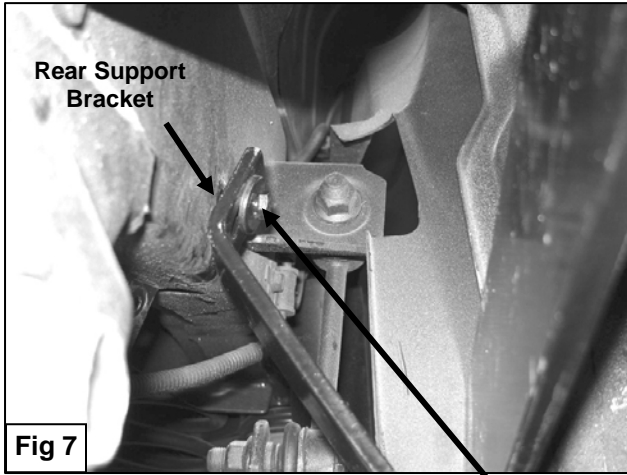


03-08 Models - Driver Side Rear Installation Shown



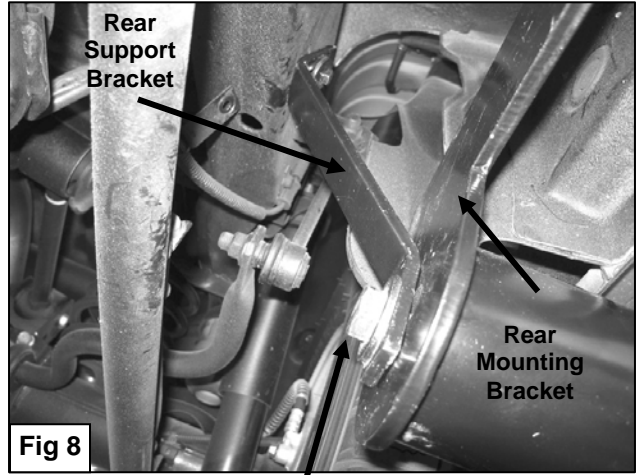
Front of Vehicle

Fig 5



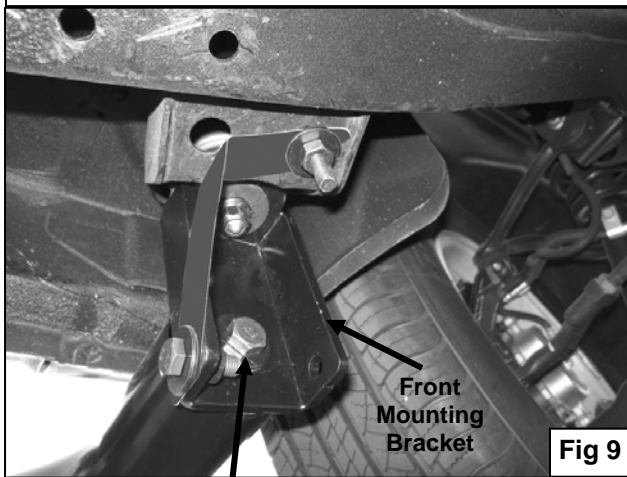
6mm x 25mm Hex Bolt
6mm Lock Washer
6mm Flat Washer

Fig 6



1/2" x 2" Hex Bolt
1/2" Lock Washer
1/2" Flat Washer

06-08 Model – Driver Side Front Installation Shown



1/2" x 2" Hex Bolt
1/2" Lock Washer
1/2" Flat Washer

03-05 Model – Pass Side Front Installation Shown

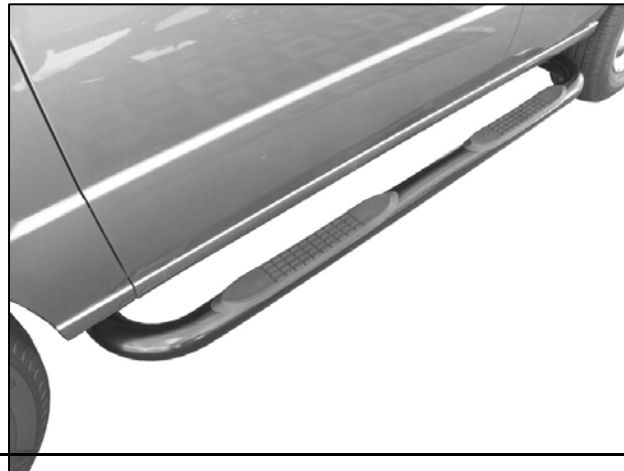
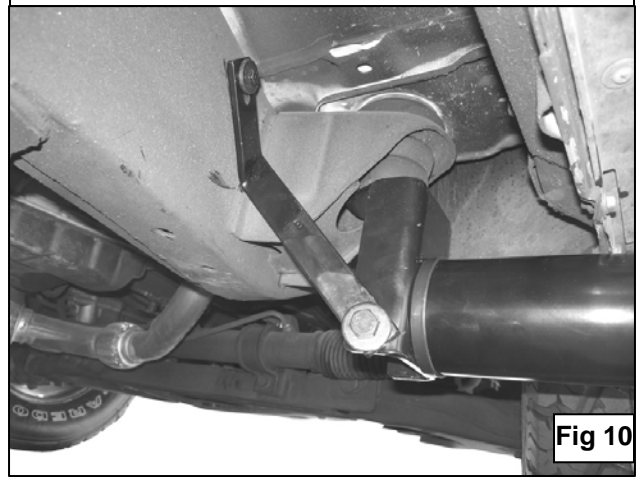


Fig 11