



**INSTALLATION INSTRUCTION**  
**LIGHT BAR FOR 07 FJ CRUISER**  
**PART No. 2LB1**

**NOTICE:**

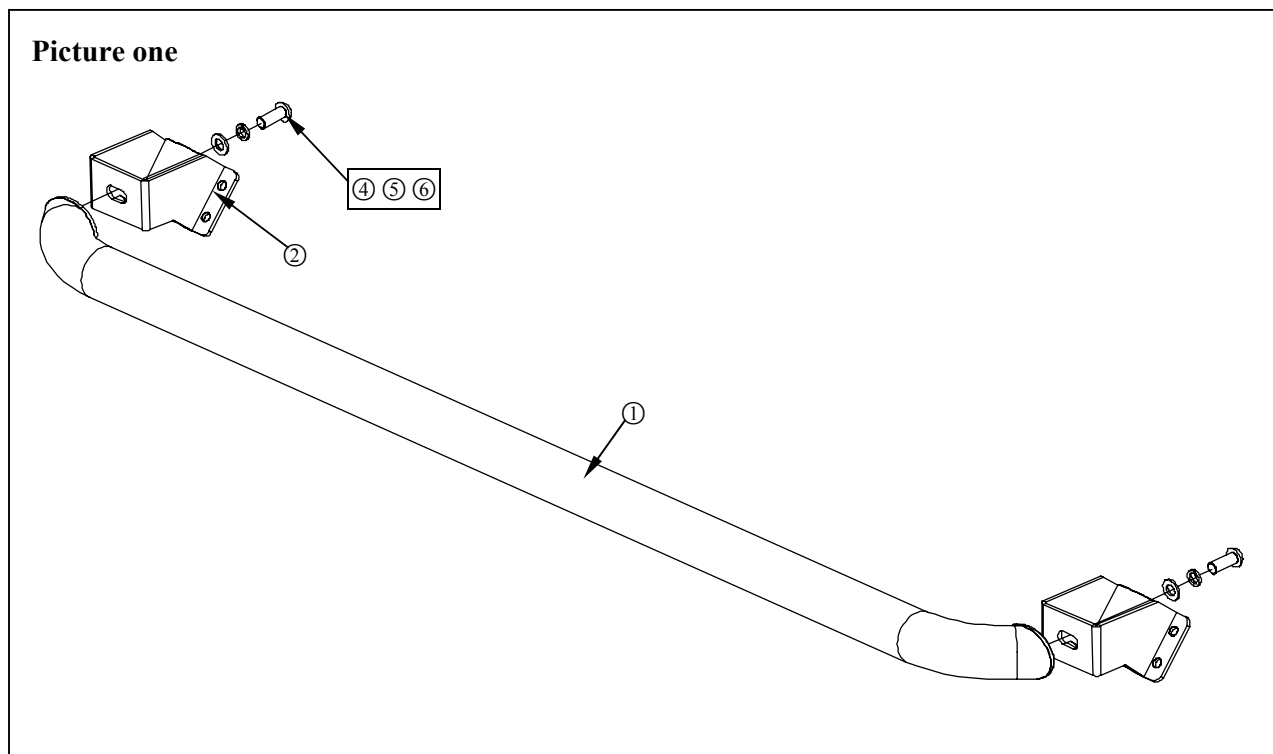
- λ The figures here are for reference only and may have differences with the actual product you received, however they share the same assembly way.
- λ Please read the instruction completely for easy installation, which will also help you to avoid scratches or other potential damages to your appealing car.

**PART LIST:**

No.	Name	Qty	Remarks	No.	Name	Qty	Remarks
①	Main tube	1		⑧	Flat washer	16	5mm
②	Bracket A	2		⑨	Spring Washer	8	5mm
③	Bracket B	2		⑩	Hex nut	8	M5
④	Hex bolt	2	M8×16	⑪	Wrench	1	S=5
⑤	Flat washer	2	8mm	⑫	Wrench	1	S=3
⑥	Spring washer	2	8mm	⑬	Rubber cushion Plate	2	
⑦	Hex bolt	8	M5×16				

**Installation Procedures:**

First Step: Fasten ② to ① with ④ ⑤ ⑥, do not full tight the bolt this time

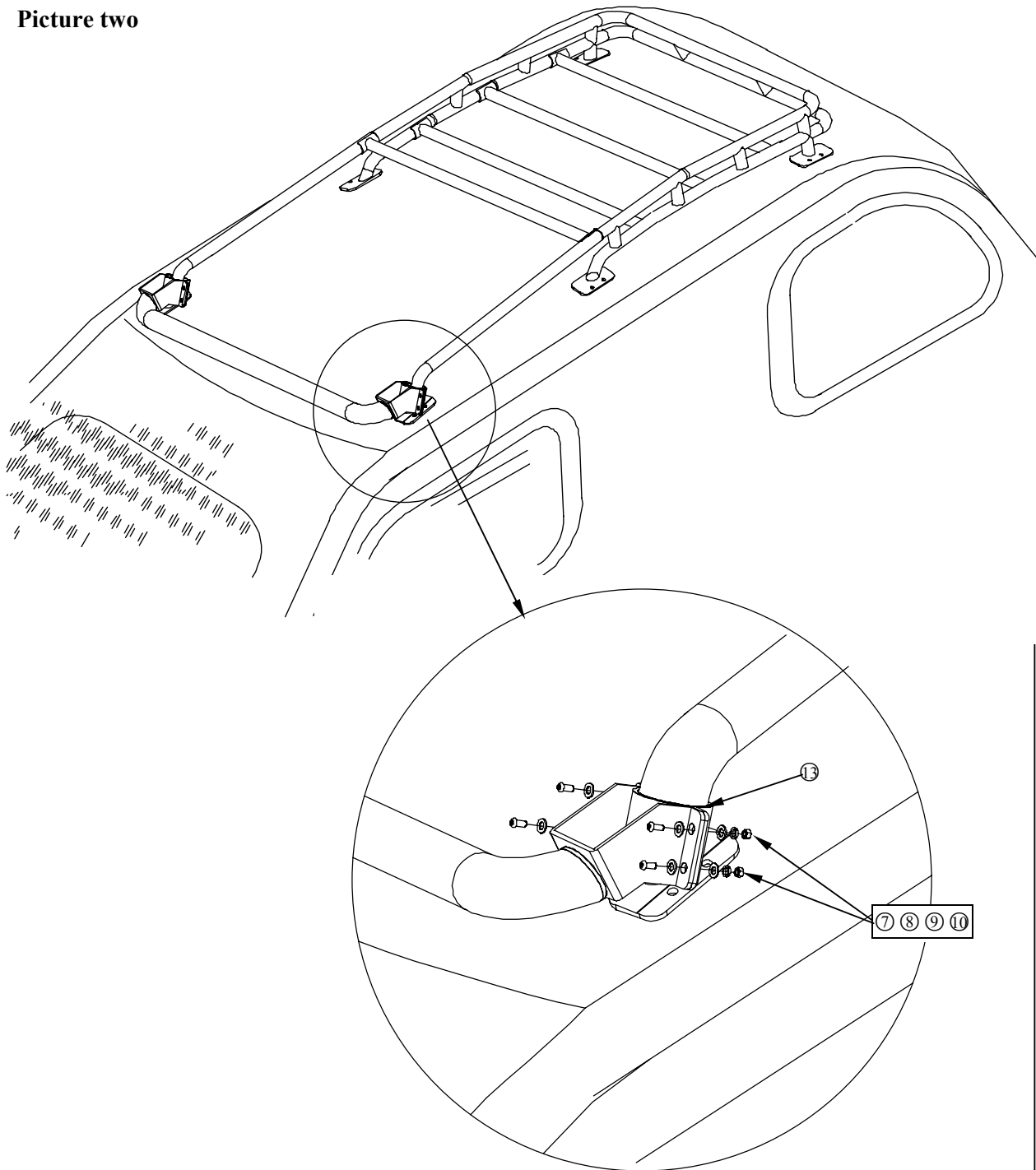




INSTALLATION INSTRUCTION  
LIGHT BAR FOR 07 FJ CRUISER  
PART No. 2LB1

Step two: Use ⑦ ⑧ ⑨ ⑩ to fix the light bar to the side rail, move it to the right place and fasten the bolts.

Picture two



Step Three: Check and fasten the bolts.