



INSTALLATION INSTRUCTIONS

REAR BUMPER PART #25201
1976-2004 JEEP CJ/ YJ/ WRANGLER 2/4WD

PARTS LIST

- (1) REAR BUMPER
- (2) MOUNT BRACKETS
- (12) 3/8" x 1 1/4" HEX HEAD BOLT
- (24) 3/8" FLAT WASHER
- (12) 3/8" HEX LOCK NUT

PROCEDURE

1. Begin installation by working on driver side of the vehicle (refer to Figures 1.1- 1.3)
2. If vehicle is equipped with bumperettes, remove them.
3. Attach Mount Bracket to vehicle rear frame rail using (4) 3/8" x 1 1/4" hex head bolts, (8) 3/8" flat washers, and (4) 3/8" hex lock nuts, as shown in Figure 1.1. Hand tighten.
4. Repeat for passenger side.
5. Align Rear Bumper to outsides of Mount Brackets and fasten to upper two mounting holes of Bumper using (2) 3/8" x 1 1/4" hex head bolts, (4) 3/8" flat washers, and (2) 3/8" hex lock nuts for each side. Hand tighten.
6. Level and adjust Rear Bumper and Mount Brackets as desired to ensure a solid fit, and tighten all hardware to complete installation.

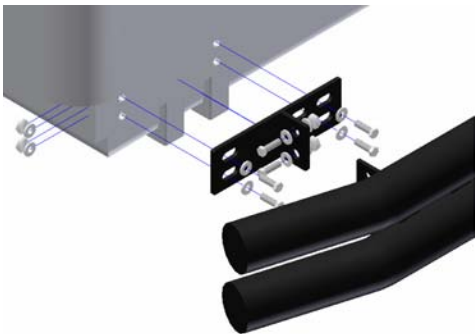


Figure 1.1 – Rear Driver-Side View

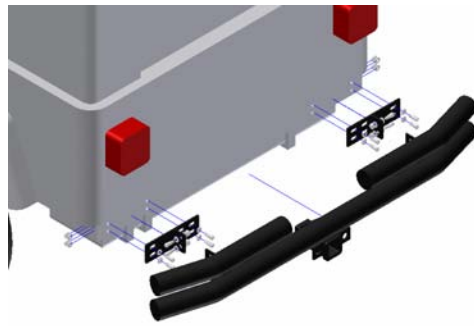


Figure 1.2 - Rear Assembly Exploded View

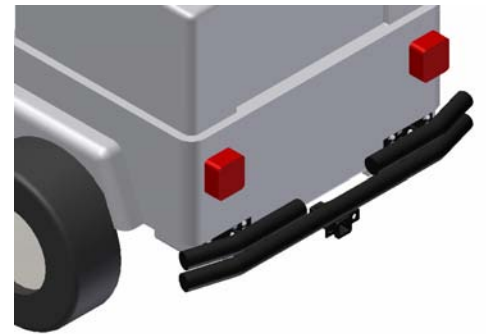


Figure 1.3 – Complete Rear Assembly View