

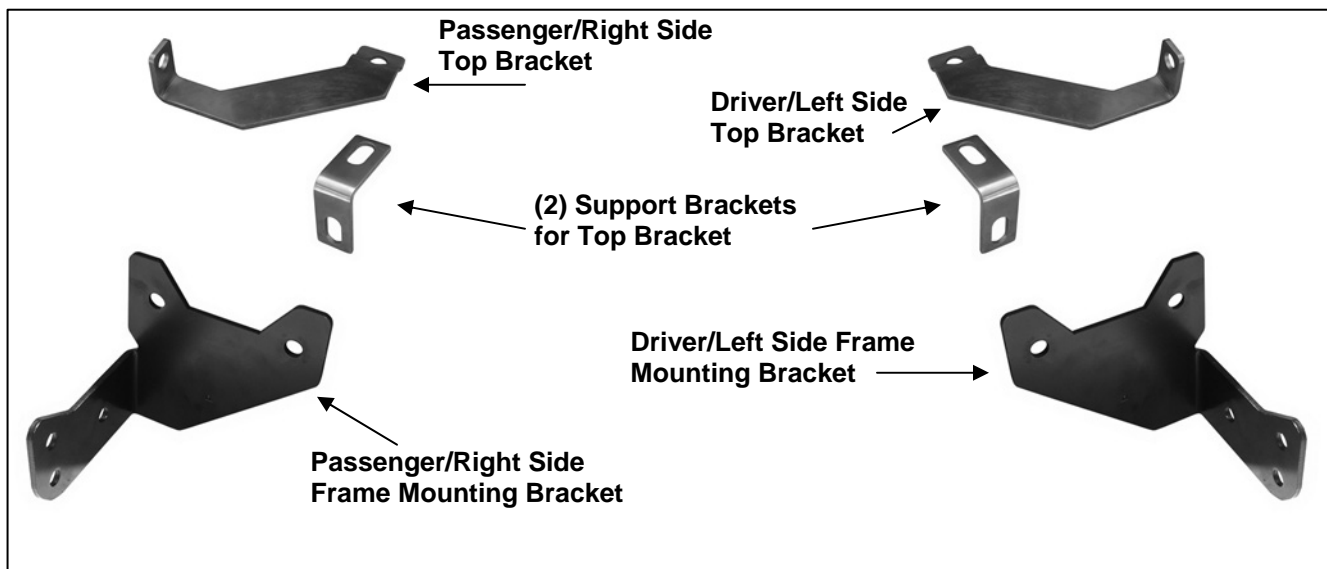


INSTALLATION INSTRUCTIONS

**GRILLE GUARD
04-06 DODGE DURANGO
PART# 5047/5047-2**

PARTS LIST:

1	Grille Guard	12	12mm x 44mm OD x 4mm Flat Washers
1	Driver/Left Frame Mounting Bracket	6	12mm Nylon Lock Nuts
1	Passenger/Right Frame Mounting Bracket	2	10-1.50mm x 25mm Button Head Bolts
2	"L" Support Brackets (for Top Brackets)	2	10-1.50mm x 25mm Hex Bolts
1	Driver/Left Top Bracket	4	10mm Nylon Lock Nuts
1	Passenger/Right Top Bracket	8	10mm x 30mm OD x 2.5mm Flat Washers
6	12-1.75mm x 30mm Hex Bolts	1	Allen Wrench



PROCEDURE:

- 1. REMOVE CONTENTS FROM BOX. VERIFY ALL PARTS ARE PRESENT. READ INSTRUCTIONS CAREFULLY BEFORE STARTING INSTALLATION. CUTTING MAY BE REQUIRED. ASSISTANCE IS RECOMMENDED.**
- Start installation under the front-passenger side of the vehicle. Remove the (2) lower factory hex nuts bolting the bumper bracket to the end of the main frame channel, **(Figure 1)**. Slide the Frame Bracket over the threaded studs and secure using the factory flange nuts, **(Figure 2)**. Snug but do not tighten hardware at this time. Repeat this Step for driver side Frame Mount Bracket installation.
- NOTE:** It may be necessary to cut the plastic lower bumper to clear the Frame Mounting Brackets. Use a sharp knife or hacksaw and cut as little as possible to clear the Brackets.
- Next, remove the factory hex nut on the top-inside of the bumper bracket above the previously installed Frame Mounting Bracket. Select (1) "L" Top Support Bracket. Slide the Top Support Bracket onto the threaded stud and secure to the frame channel with the factory flange nut, **(Figure 3)**. **NOTE:** The "L" Top Support Bracket will point away from the front bumper. Line up the top of the Support Bracket with the top of the bumper. Snug but do not tighten hardware at this time. Repeat this Step for driver side Top Support Bracket installation.

5. Before continuing, we highly recommend covering the top of the plastic bumper cover with removable tape, (masking tape for example), to protect the finish during Top Bracket installation, **(Figure 4)**.
6. Select the passenger side Top Bracket. Slide the Top Bracket through the gap between the bottom of the grille and the front bumper, **(Figure 4)**. Line up the mounting hole with the previously installed Top Support Bracket. Bolt the Top Bracket to the Support Bracket with (1) 10mm x 25mm Hex Bolt, (2) 10mm Flat Washers and (1) 10mm Nylon Lock Nut. Do not tighten hardware at this time. Repeat this Step to install the driver side Top Bracket.
7. With assistance, position the Grille Guard up to the inside of the Frame Mounting Brackets. Use the included (6) 12mm x 30mm Hex Bolts, (12) 12mm Flat Washers and (6) 12mm Nylon Lock Nuts, **(Figure 5)**. Do not tighten hardware at this time.
8. Attach the Grille Guard to the Top Brackets using the included (2) 10mm x 25mm Button Head Bolts, (4) 10mm Flat Washers and (2) 10mm Nylon Lock Nuts.
9. Adjust Grille Guard properly and tighten all hardware at this time.
10. Do periodic inspections to the installation to make sure that all hardware is secure and tight.

To protect your investment, wax this product after installing. Regular waxing is recommended to add a protective layer over the finish. Do not use any type of polish or wax that may contain abrasives that could damage the finish.

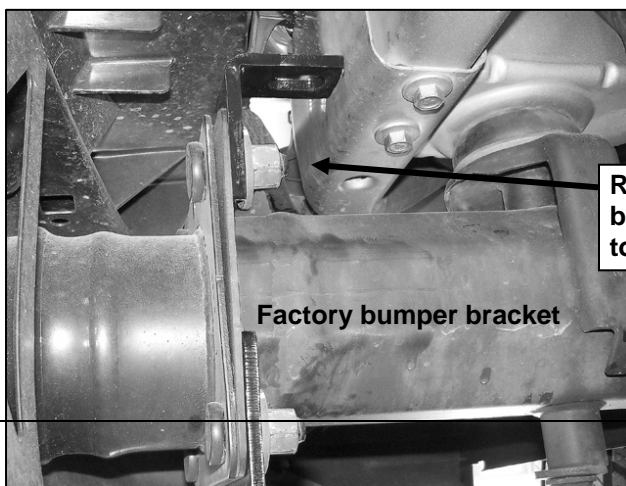
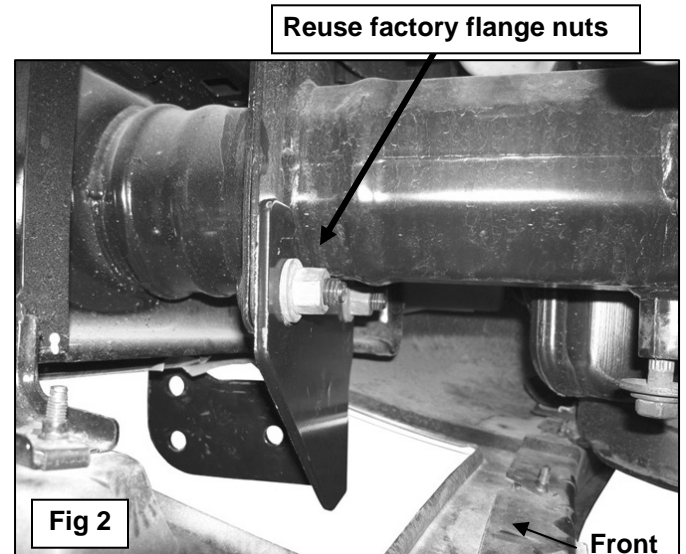
For stainless steel: Aluminum polish may be used to polish small scratches and scuffs on the finish. Mild soap may be used also to clean the Grille Guard.

For gloss black finishes: Mild soap may be used to clean the Grille Guard.

Passenger Side Installation Pictured



(Fig 1) Passenger side bumper bracket pictured from below. Remove (2) bottom flange nuts



← Front

Fig 3

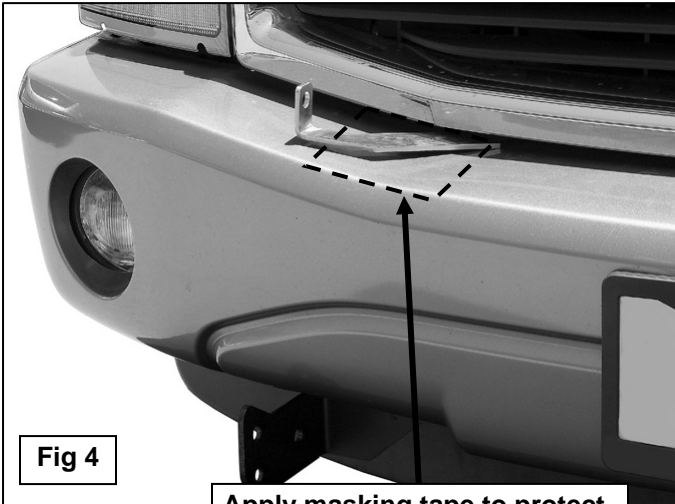


Fig 4

Apply masking tape to protect finish during installation

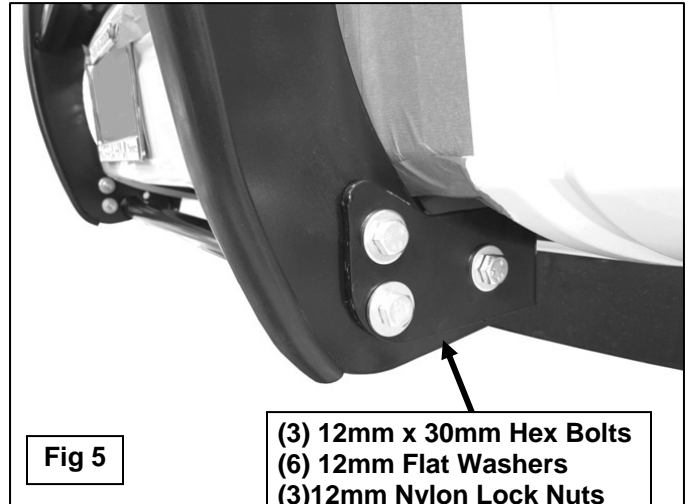
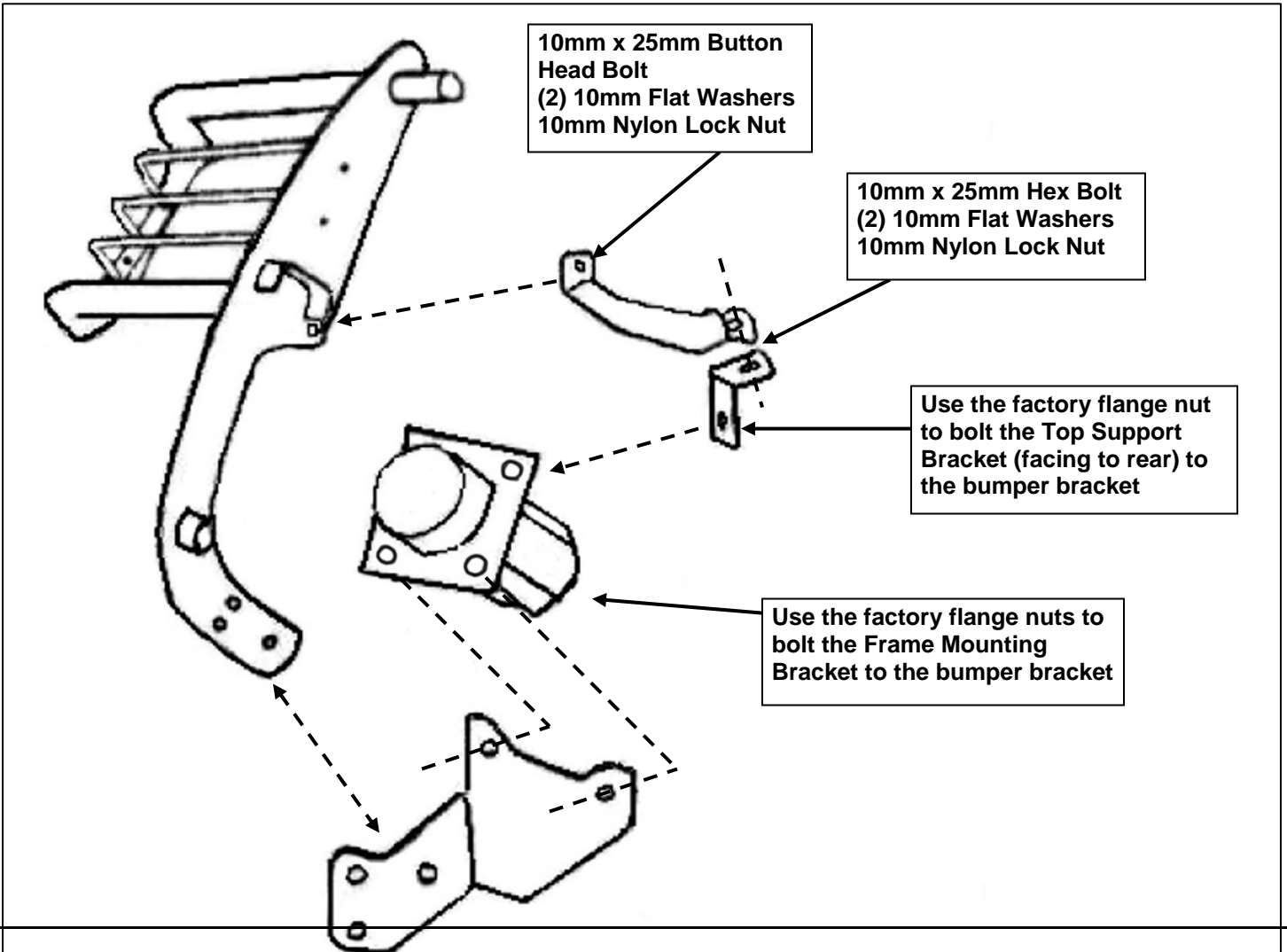
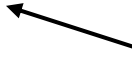


Fig 5

(3) 12mm x 30mm Hex Bolts
(6) 12mm Flat Washers
(3) 12mm Nylon Lock Nuts





(3) 12mm x 30mm Hex Bolts
(6) 12mm Flat Washers
(3) 12mm Nylon Lock Nuts