



INSTALLATION INSTRUCTIONS

GRILL/ BRUSH GAURD PART #5041/ 5041-2

1997 - 2003 DODGE DAKOTA 2/4WD

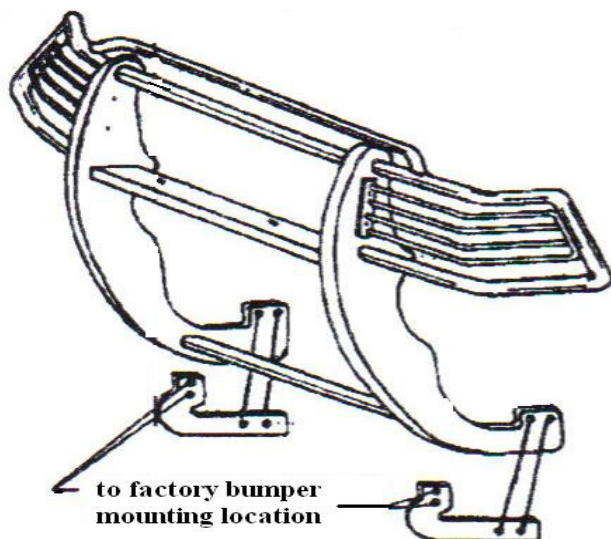
1998 - 2003 DODGE DURANGO 2/4WD

PARTS LIST

- | | |
|------------------------------|---------------------------------|
| (1) FRONT BAR | (2) 3/8 x 1" BUTTON BOLTS BOLTS |
| (2) FRAME MOUNT BRACKETS | (2) 3/8 X 1" LOCK NUTS |
| (2) BRACE BRACKETS | (2) 3/8 FLAT WASHER |
| (4) 7/16" x 1 1/4" HEX BOLTS | |
| (4) 7/16" HEX LOCK NUTS | |
| (8) 7/16" FLAT WASHERS | |

PROCEDURE

1. Remove plastic spoiler beneath front bumper if so equipped. Loosen the two factory nuts directly behind the bumper. The bolts are vertical (one directly above the other). The bolt pattern on the frame mounting brackets will be positioned in a manner shown below. Attach frame mounting brackets (provided) re-using factory nut. Attaching top brackets open vehicle front hood and use the existing bolts.
2. Line up the two holes on the lower portion of the front bar with the two holes on the mounting frame brackets (outer edge) using the 7/16 hardware. Once the front bar is attached to the mounting brackets align the left and right side of the front bar to the bumper.
3. Once you are satisfied that the left and right side are equal distance from the bumper, attach the top mounting brackets using the 3/8 hardware and the existing top bumper bolts. Tighten all fasteners.



brackets pointing to the back of the vehicle