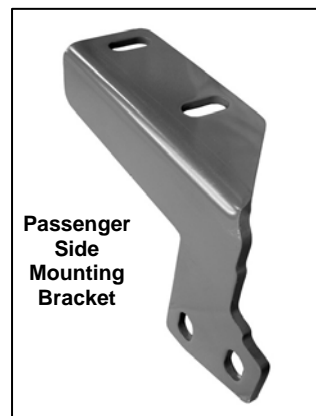
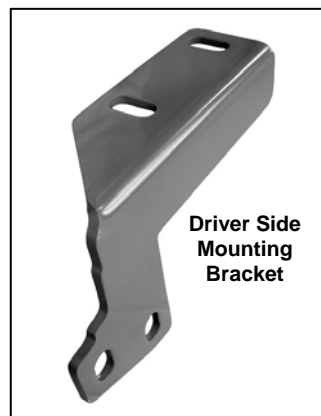


# INSTALLATION INSTRUCTIONS

**BULL BAR PART # B35-9003 / 35-9003  
2008-10 PATHFINDER**

## PARTS LIST:

1	Bull Bar	4	12-1.25mm Hex Head Bolts
1	Driver/Left Mounting Bracket	4	12-1.75mm Hex Head Bolts
1	Passenger/Right Mounting Bracket	4	12mm Hex Nuts
		8	12mm Lock Washers
		12	12mm ID x 29mm OD x 3mm Flat Washers



## PROCEDURE:

- 1. REMOVE CONTENTS FROM BOX. VERIFY ALL PARTS ARE PRESENT. READ INSTRUCTIONS CAREFULLY BEFORE STARTING INSTALLATION.**
- From underside of vehicle, use a 10mm socket wrench to remove the 6 bolts holding the center plastic shroud. Set center plastic shroud on a clean working area and use a hack saw to cut out the driver side tow hook cavity (**Figure 1**).
- Remove the factory tow hook located on the passenger side (**Figure 2**). **NOTE:** You will not be re-installing tow hook.
- Once you have cut out the driver side tow hook cavity of shroud, reinstall it back to the vehicle using the same factory hardware.
- Locate the passenger side Mounting Bracket and partially hang it from factory threaded holes on the frame rail using the included (2) 12-1.25 x 35mm Hex Head Bolts (fine thread), (2) 12mm Lock Washers, and (2) 12mm Flat Washers (**Figure 3**). Repeat this step for driver side.
- With help position Bull Bar on the outer side of Mounting Brackets. Attach Bull Bar to Mounting Brackets using the included (4) 12-1.75mm x 30mm Hex Head Bolts, (4) 12mm Lock Washers, (4) 12mm Hex Nuts, and (8) 12mm Flat Washers (**Figure 4**).
- Align Bull Bar properly and then tighten all hardware.
- Do periodic inspections to the installation to make sure that all hardware is secure and tight.

**To protect your investment**, wax this product after installing. Regular waxing is recommended to add a protective layer over the finish. Do not use any type of polish or wax that may contain abrasives that could damage the finish.

**For stainless steel:** Aluminum polish may be used to polish small scratches and scuffs on the finish. Mild soap may be used also to clean the Sidebar.

**For gloss black finishes:** Mild soap may be used to clean the Sidebar.

Cutout the driver side tow hook cavity

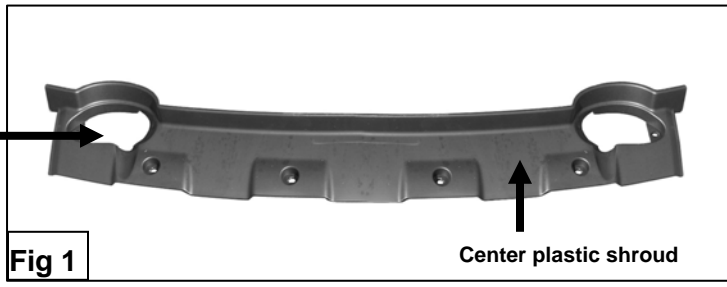


Fig 1

Center plastic shroud

***(Passenger Side Installation Shown)***

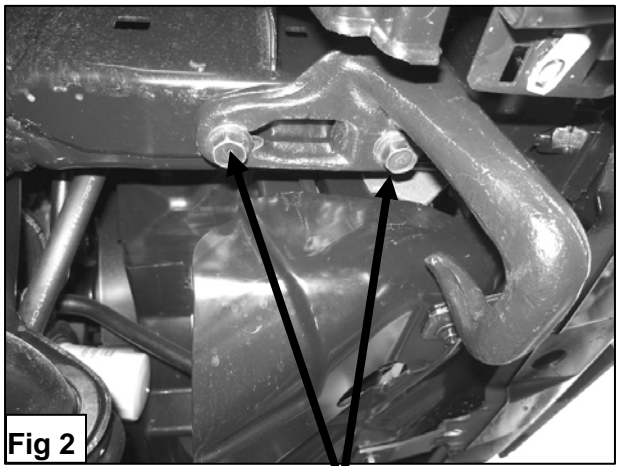


Fig 2

Remove Factory Tow Hooks Bolts

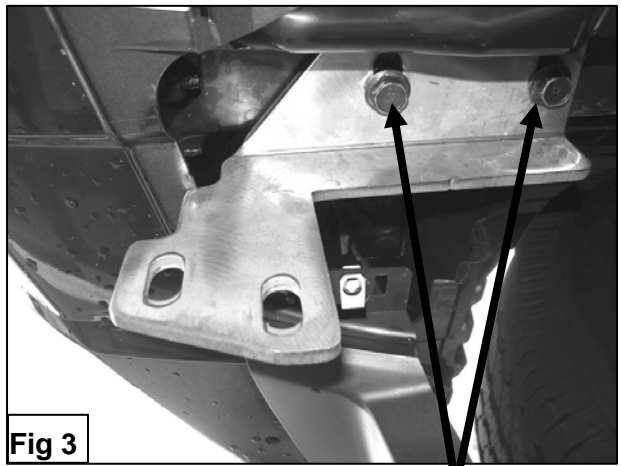


Fig 3

Replace factory bolts with the included:  
12-1.25 x 35mm Hex Bolts  
12mm Lock Washers  
12mm Flat Washers

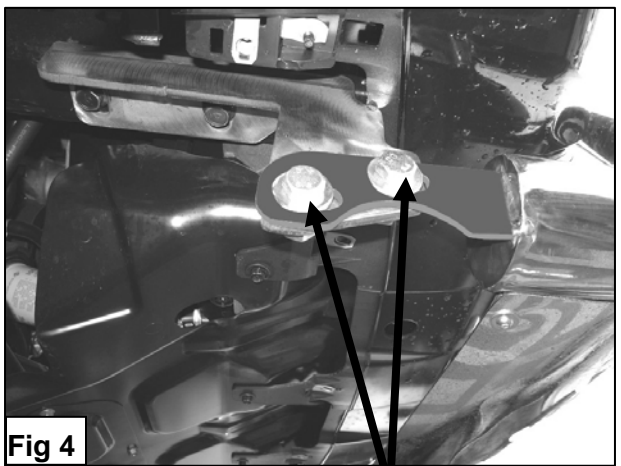


Fig 4

12-1.75mm x 35mm Hex Bolts  
12mm Lock Washers  
12mm Hex Nuts  
12mm Flat Washers



Fig 5