

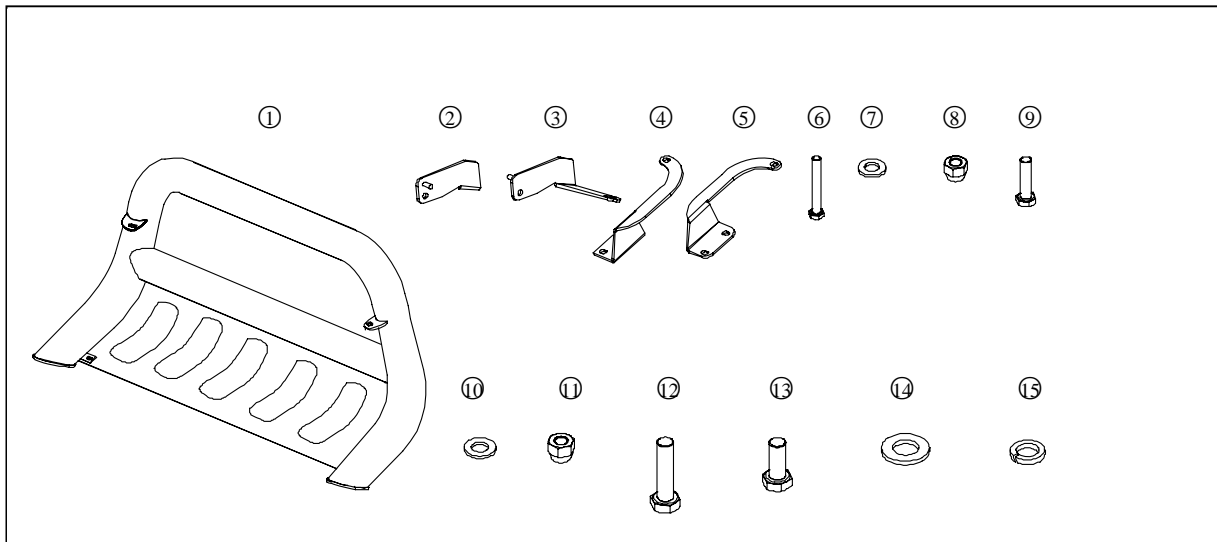
INSTALLATION INSTRUCTION
BULL BAR
2003-2009 TOYOTA 4RUNNR
PART # B35-2005 / 35-3005

Please read this installation Menu before installing this part. When install it, pay attention to protecting your vehicles.

When use it, please check this parts at a fix time - lapse, such as one month or two month.

Part List

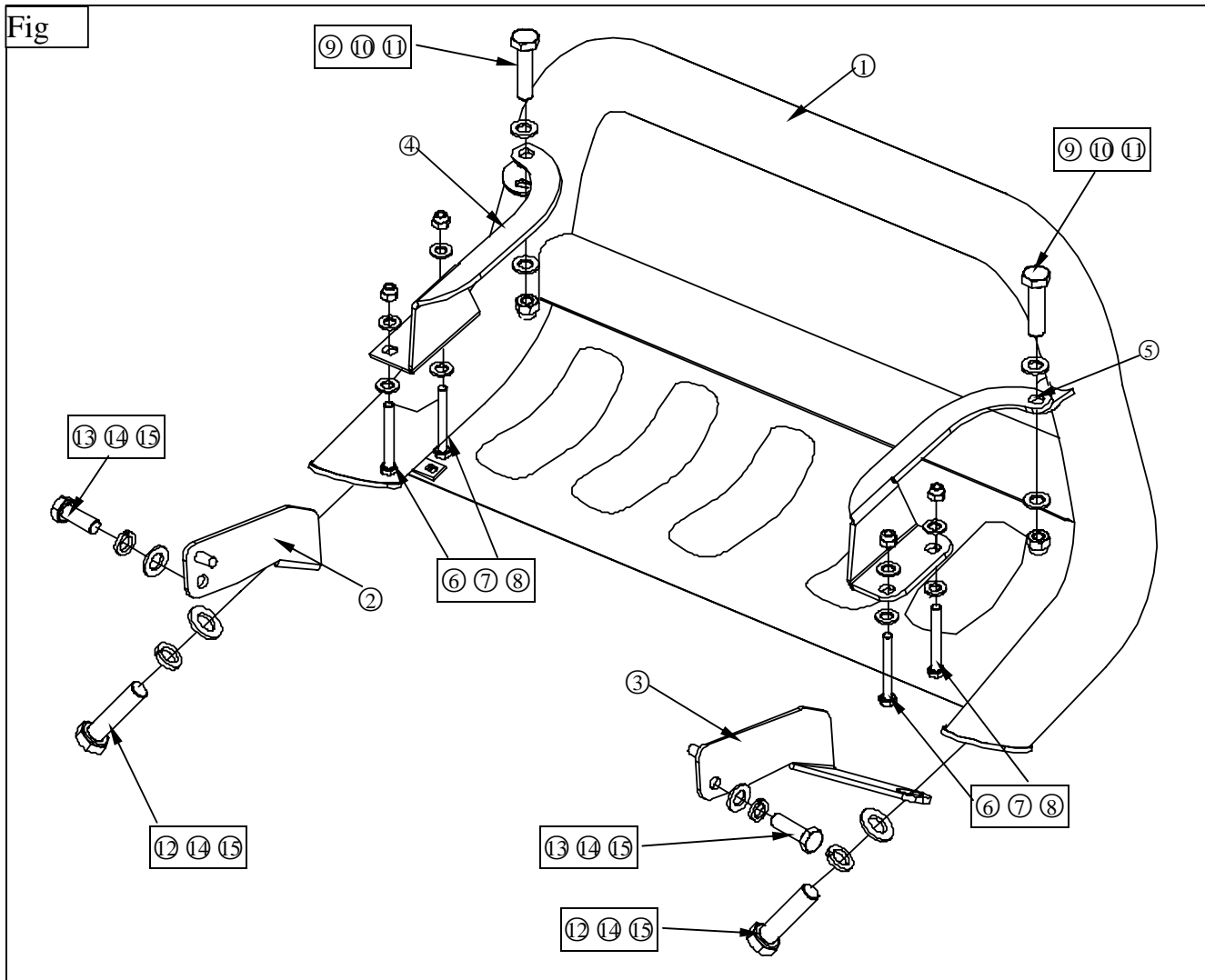
No.	Name	Qty	Remarks	No.	Name	Qty	Remarks
①	Grille guard	1		⑨	Hex bolt	2	M10×35
②	Left bracket	1		⑩	Flat washer	4	10mm
③	Right bracket	1		⑪	Hex nut	2	M10
④	Left connecting plate	1		⑫	Hex bolt	2	M12×40
⑤	Right connecting plate	1		⑬	Hex bolt	2	M12×35×1.25
⑥	Hex bolt	4	M8×110	⑭	Flat washer	6	12mm
⑦	Flat washer	8	8mm	⑮	Spring washer	4	12mm
⑧	Hex nut	4	M8				



1. Before you start the installation, make sure that you have all the components listed above.
2. Please protect your vehicles from being scratched during the process of installing the Bull Bar.
3. Determine left connecting plate, right connecting, left bracket and right bracket.

INSTALLATION INSTRUCTION
BULL BAR
2003-2009 TOYOTA 4RUNNR
PART # B35-2005 / 35-3005

4. Install grille guard to the vehicle with hardware listed as shown in Fig



5. Test and make sure that the grille guard is steadily fixed.

6. Installation is finished.