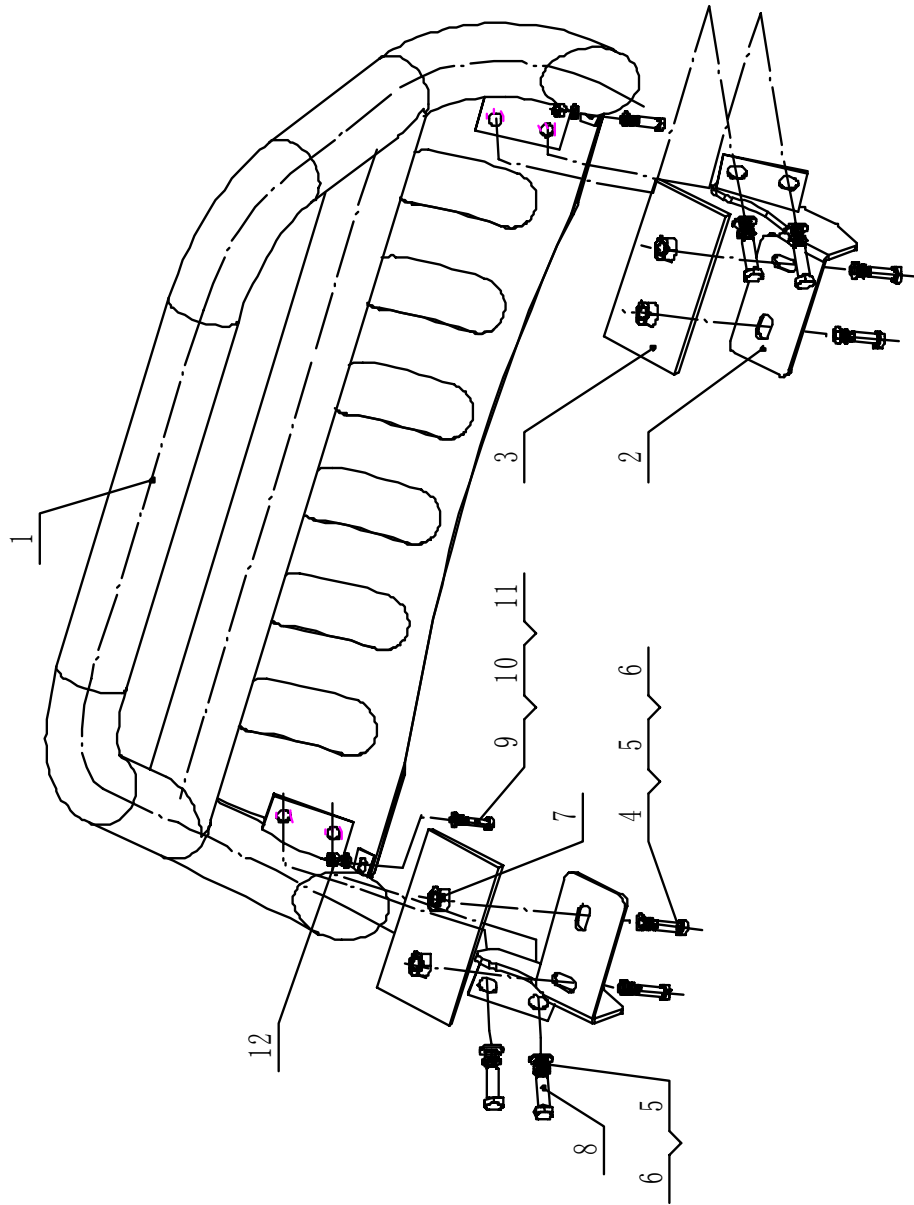




# Installation Instructions

Part#35-1001/B35-1001  
 BULL BAR FOR JEEP COMMANDER 2006



NO	NAME	REMARKS	QTY
12	HEX NUT	M6mm	2
11	FLAT WASHER	D6mm	4
10	SPRING WASHER	D6mm	2
9	HEX BOLT	M6*20mm	2
8	HEX BOLT	M10*25mm	4
7	HEX NUT	M10mm	8
6	FLAT WASHER	D10mm	8
5	SPRING WASHER	D10mm	8
4	HEX BOLT	M10*4,0mm	4
3	BRACKET		2
2	MOUNT KIT	LEFT AND RIGHT	2
1	REAR STEP		1

The pictures is only for reference. Maybe the actual brackets are different.

